

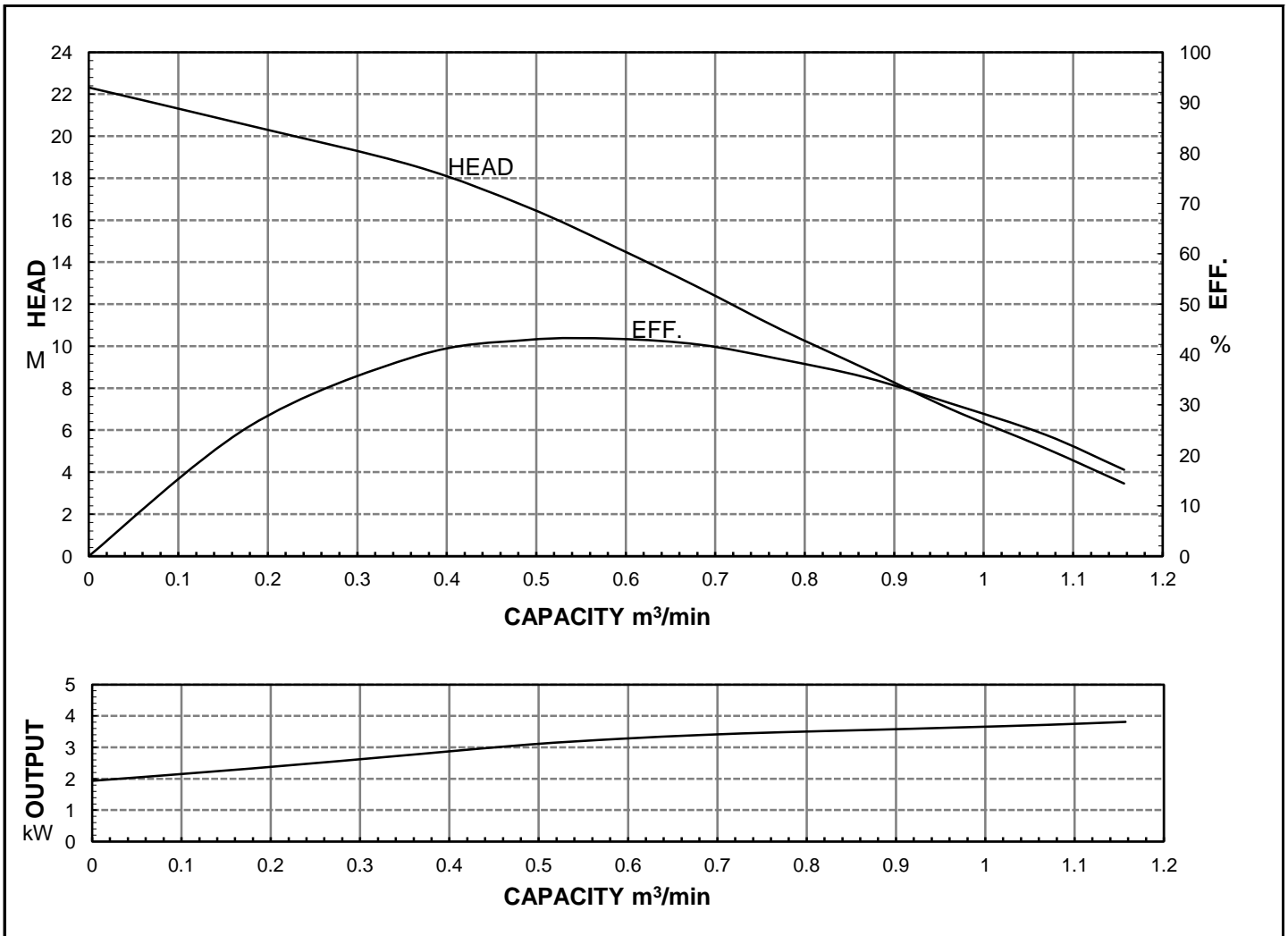


# HCP PUMP

FILE NO PC-M-E5-80AFU23.7

## PUMP PERFORMANCE CURVES

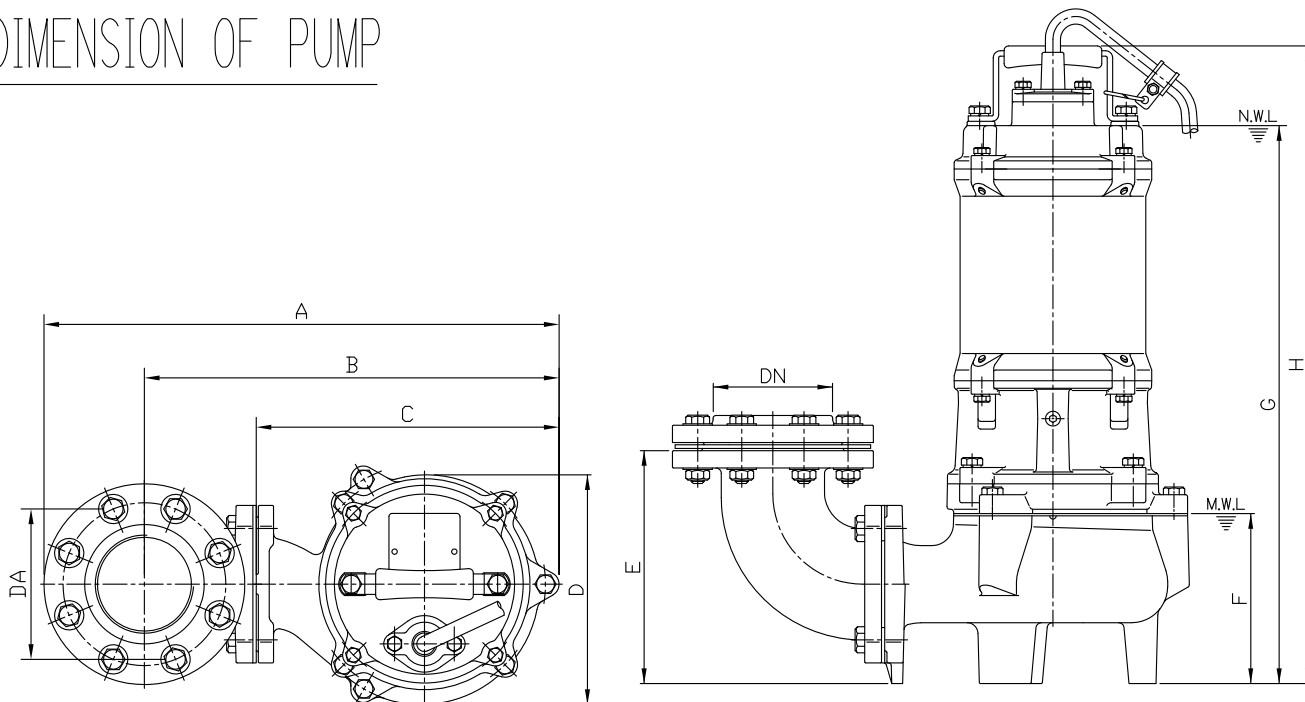
MODEL	80AFU23.7				DATE:	2011.1
	STANDARD SPECIFICATION				REFERENCE SPECIFICATION	
FREQUENCY	50			Hz		
DISCHARGE	3	inch	/	80	mm	
OUTPUT	5	HP	/	3.7	kW	HP      kW
HEAD	16			M		
CAPACITY	0.5			m <sup>3</sup> /min		
PHASE/VOLTAGE	3 φ	230 V	380 V	400 V	415 V	φ      V
RATED CURRENT		14.0 A	8.4 A	8.2 A	7.7 A	A
POLE / R.P.M.	2	P	/	2860	R.P.M.	
START METHOD	DIRECT					
INSULATION CLASS	F					
REMARK						



HCP PUMP MANUFACTURER CO.,LTD.

MODEL: 80AFU23.7

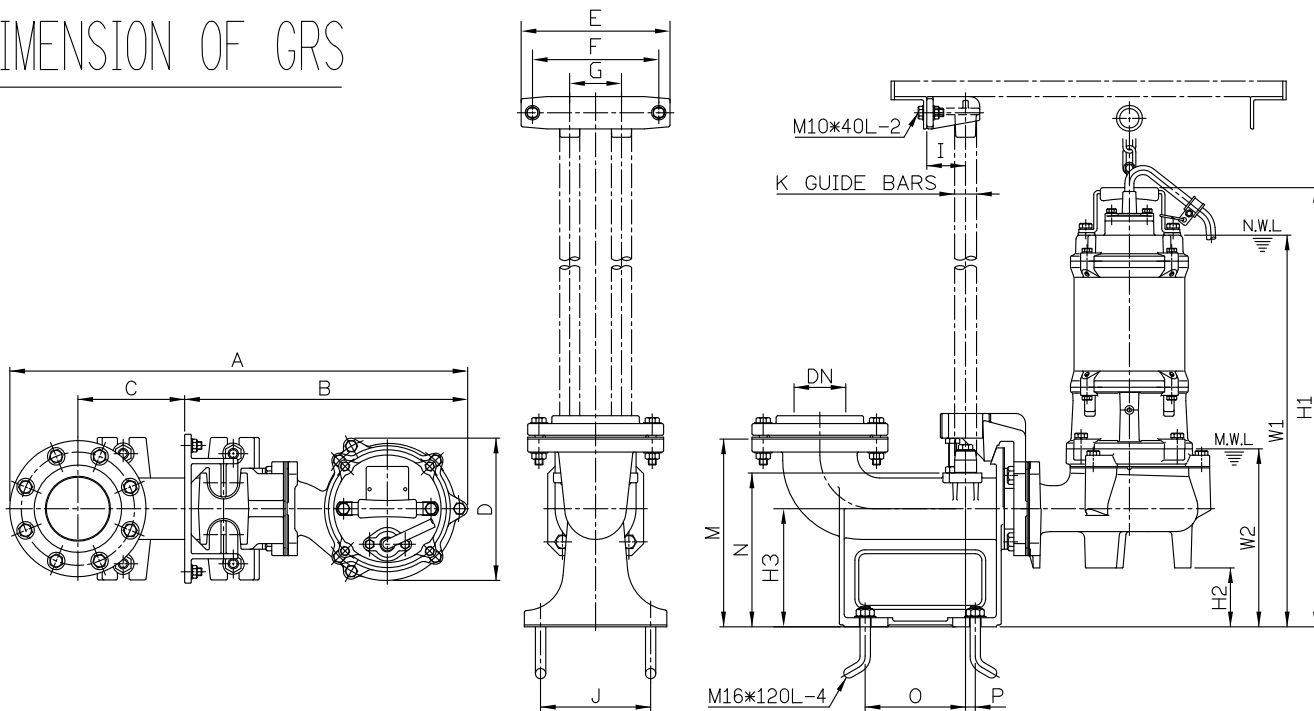
DIMENSION OF PUMP



Model	DN	DA	A	B	C	D	F	G	F	G	H
80AFU23.7	80	150	478	385	362	385	220	215	158	515	588

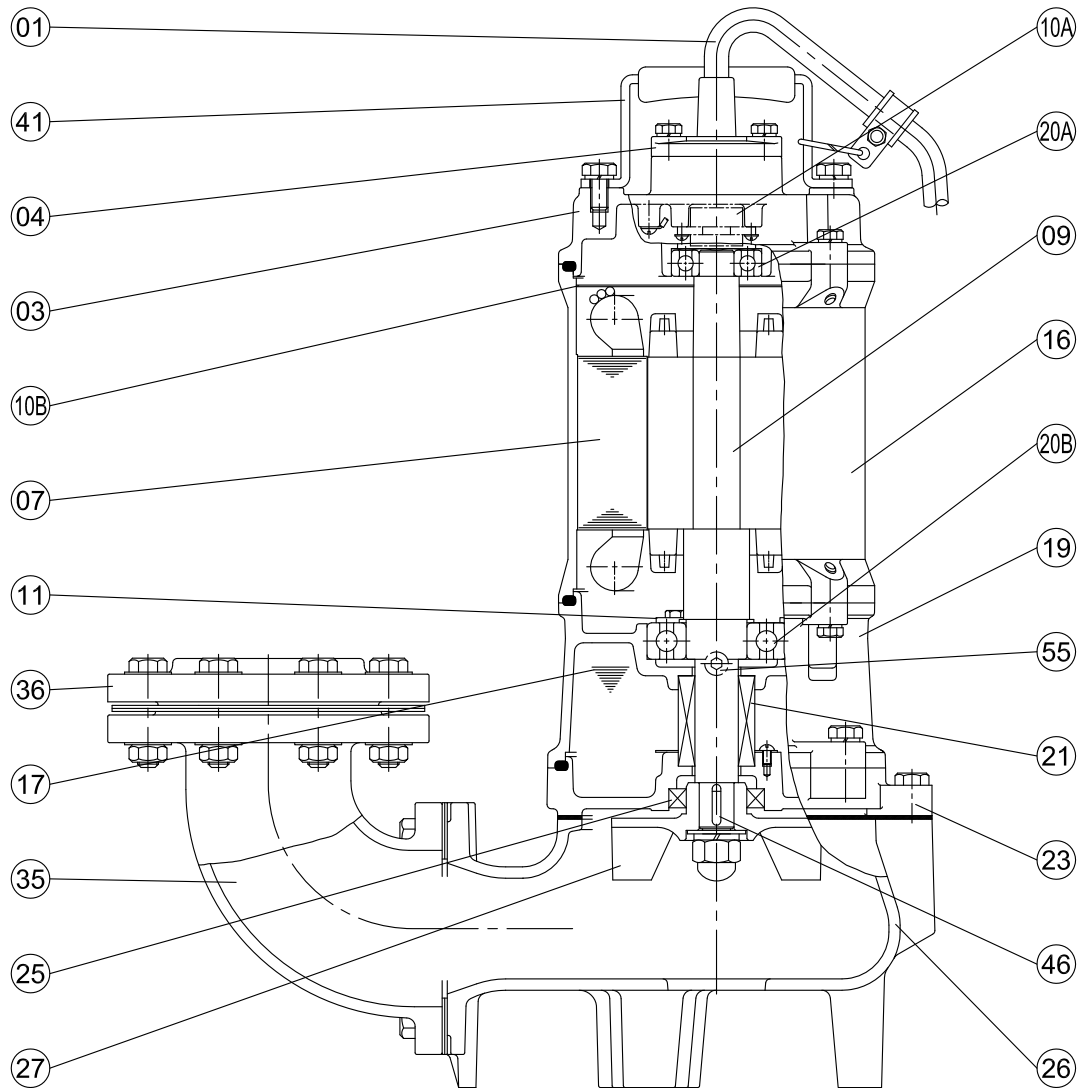
N.W.L: Normal water level  
M.W.L: Minimum water level

DIMENSION OF GRS



Model	DN	A	B	C	D	E	F	G	I	J	K	M	N	O	P	W1	W2	H1	H2	H3
80AFU23.7	80	655	432	130	220	230	195	80	60	150	1,1/4	285	233	135	15	598	268	672	89	180

## MODEL: 80AFU23.7



No.	Part name	Material	QTY	Remark
01	Cable		1	VCT/H07RN-F UL / CSA
03	Upper cover	FC-200	1	
04	Cable base cover	FC-200	1	
07	Stator		1	
09	Shaft(with Rotor)	SUS403	1	
10A	Auto-cut		1	
10B	Auto-cut plate		1	
11	Bearing fixer	SS41	3	
16	Motor frame	FC-200	1	
17	Lubricant	Turbine oil #32	1	
19	Bearing bracket	FC-200	1	
20A	Upper bearing		1	
20B	Lower bearing		1	

No.	Part name	Material	QTY	Remark
21	M. seal	CA VS CE SIC VS SIC	1	
23	M. seal bracket	FC-200	1	
25	Oil seal	NBR	1	
26	Casing	FC-200	1	
27	Impeller	FCD450	1	
35	Coupling	FC-200	1	
36	Flange	FC-200	1	
41	Handle	SS41	1	
46	Impeller key	SUS304	1	
47	Packing (1 set)		1	
55	Oil plug	SUS304	1	