

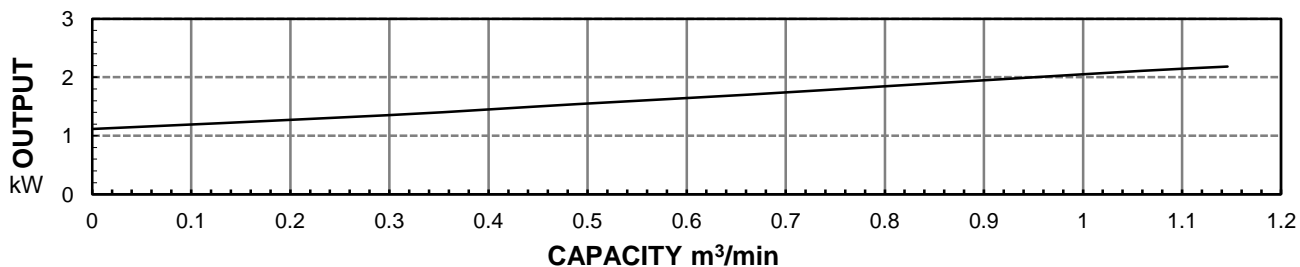
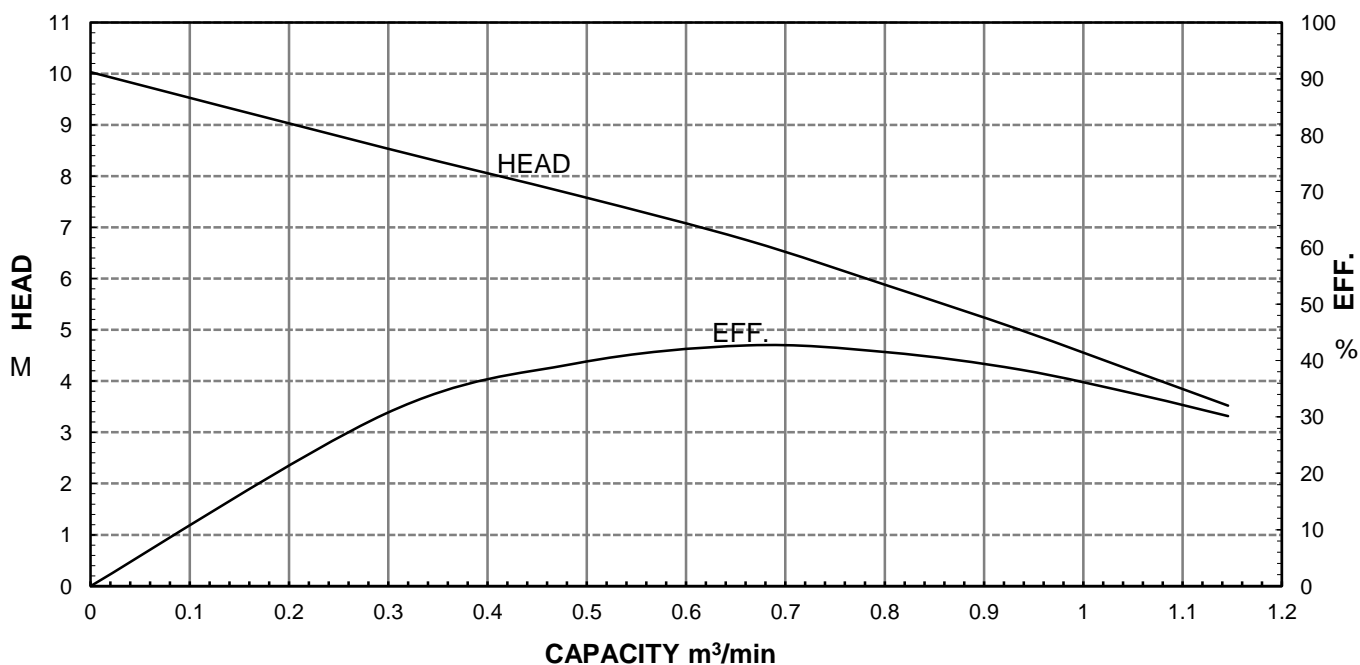


HCP PUMP

FILE NO PC-M-E5-80AFU42.2

PUMP PERFORMANCE CURVES

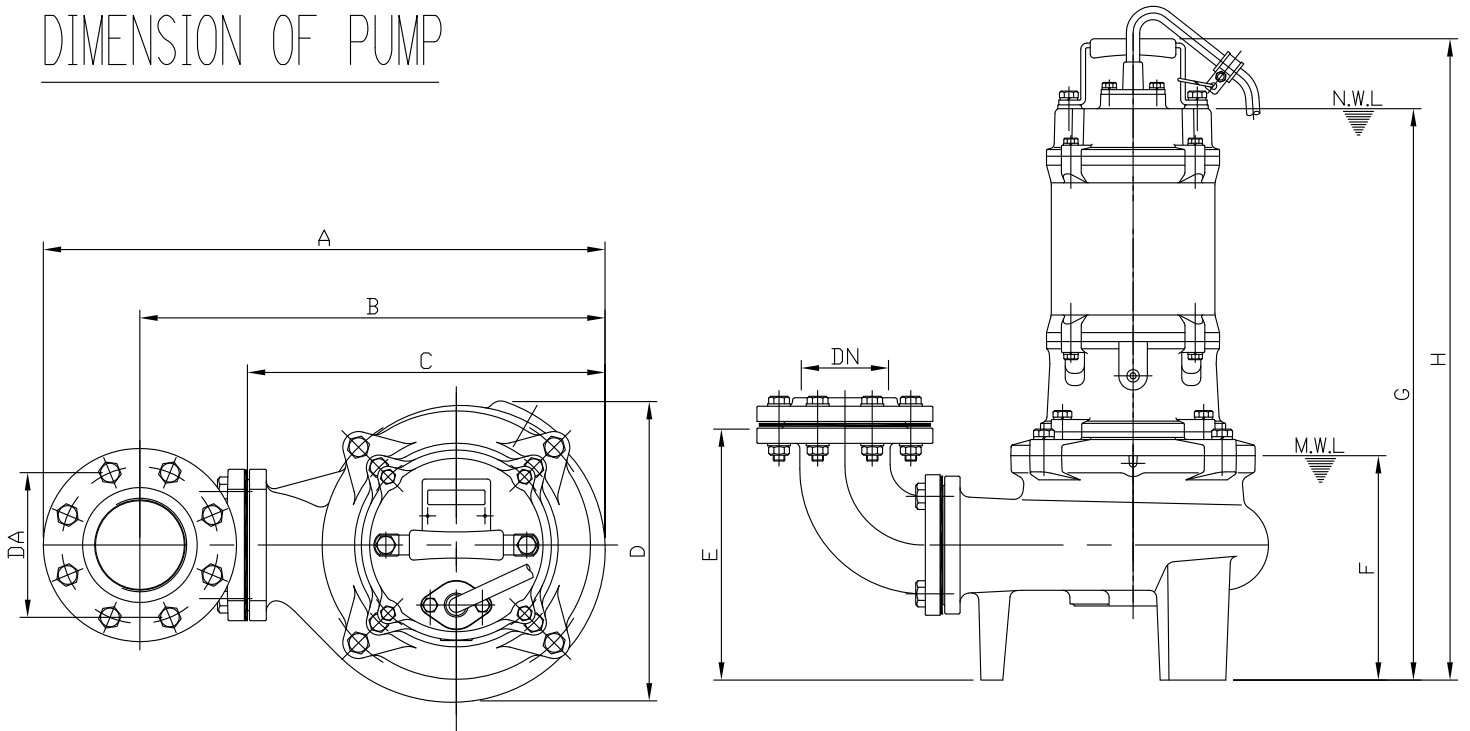
MODEL	80AFU42.2				DATE:	2011.1
	STANDARD SPECIFICATION				REFERENCE SPECIFICATION	
FREQUENCY	50			Hz		
DISCHARGE	3	inch	/	80	mm	
OUTPUT	3	HP	/	2.2	kW	HP kW
HEAD	7			M		
CAPACITY	0.6			m ³ /min		
PHASE/VOLTAGE	3 φ	230 V	380 V	400 V	415 V	φ V
RATED CURRENT		9.2 A	5.5 A	5.4 A	5.1 A	A
POLE / R.P.M.	4	P	/	1400	R.P.M.	
START METHOD	DIRECT					
INSULATION CLASS	F					
REMARK						



HCP PUMP MANUFACTURER CO.,LTD.

MODEL:80AFU42.2;80AFU43.7

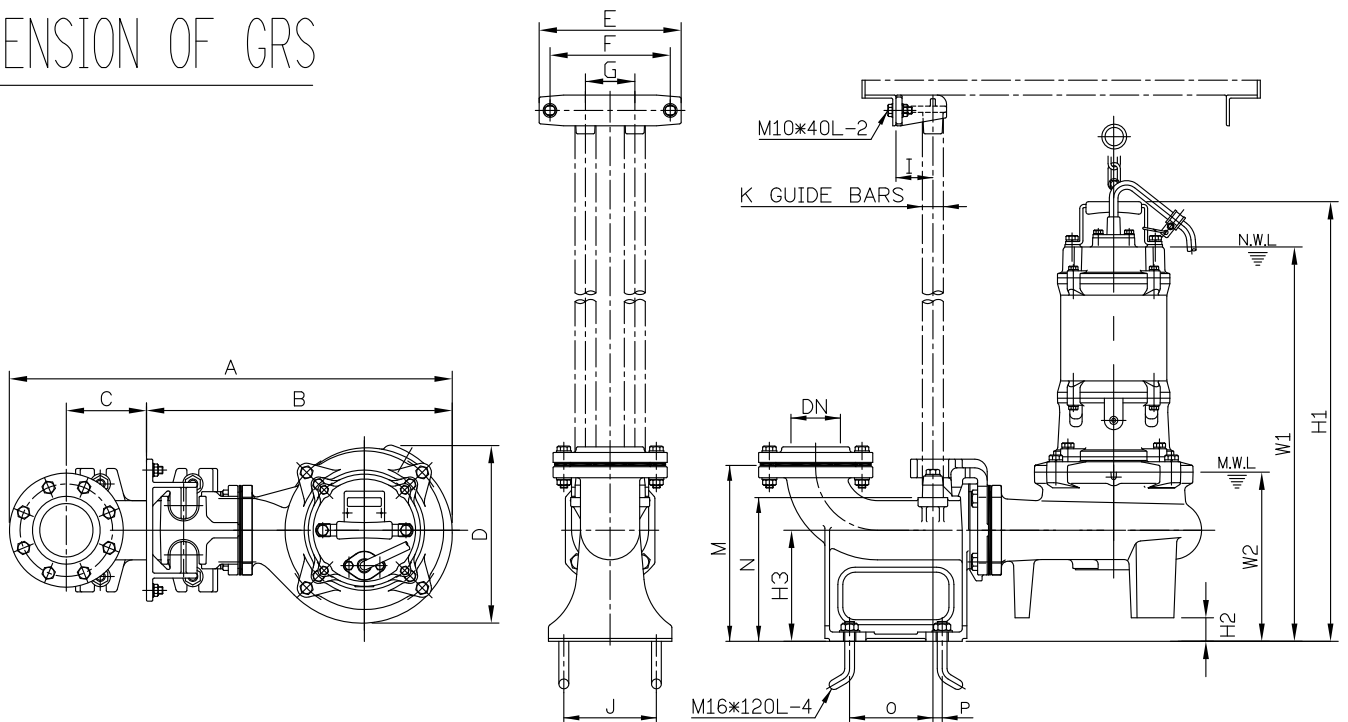
DIMENSION OF PUMP



Model	DN	DA	A	B	C	D	E	F	G	N.W.L:	M.W.L:
80AFU42.2	80	150	538	445	422	289	267	235	600	675	
80AFU43.7	80	150	538	445	422	289	267	235	620	695	

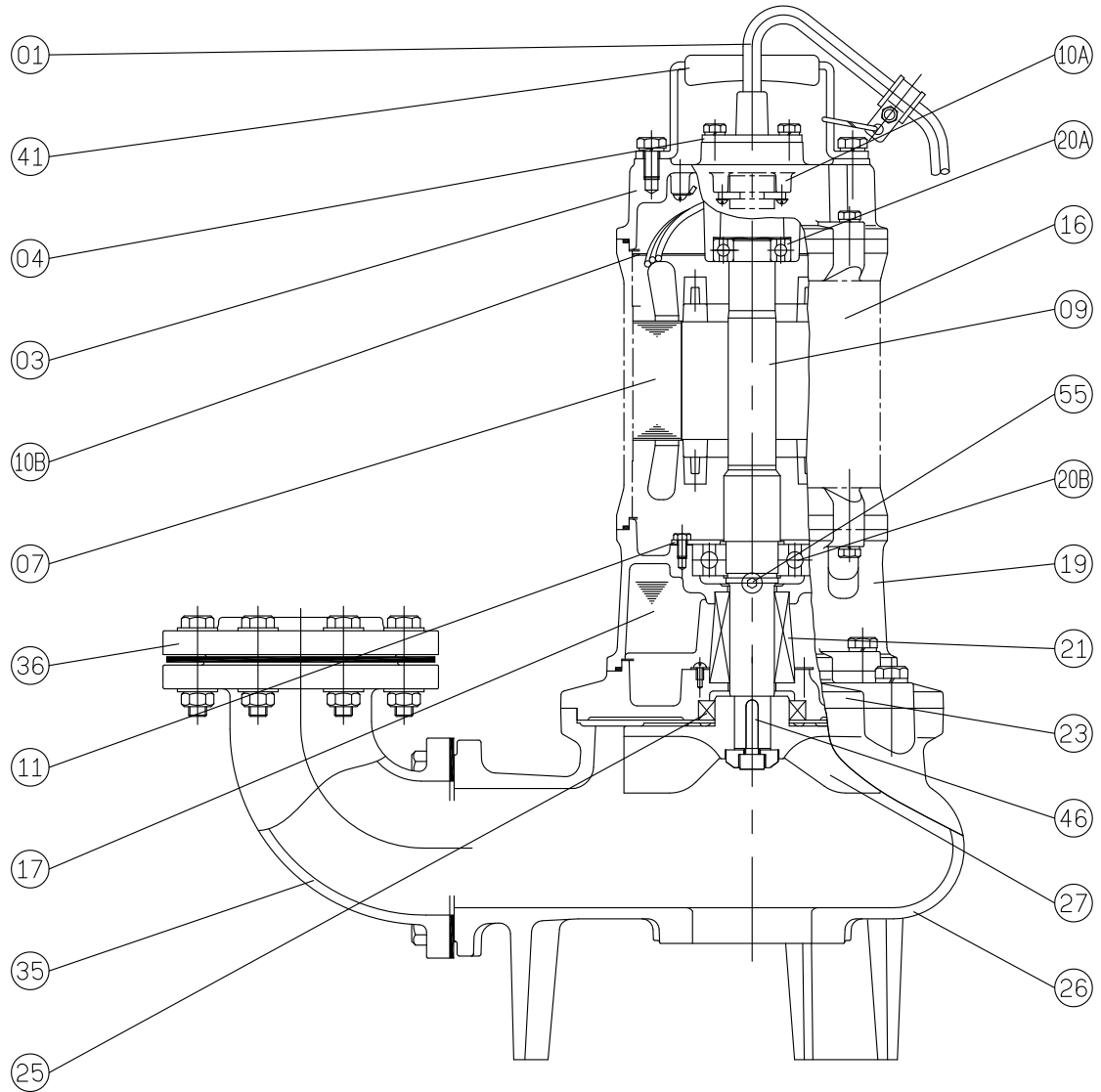
Normal water level
Minimum water level

DIMENSION OF GRS



Model	DN	A	B	C	D	E	F	G	I	J	K	M	N	O	P	W1	W2	H1	H2	H3
80AFU42.2	80	734	511	130	313	230	195	80	60	150	1,1/4	285	233	135	15	647	282	722	47	180
80AFU43.7	80	734	511	130	313	230	195	80	60	150	1,1/4	285	233	135	15	667	282	742	47	180

MODEL: 80AFU42.2;80AFU43.7 3Ø



No.	Part name	Material	QTY	Remark
01	Cable		1	VCT/H07RN-F UL/CSA
03	Upper cover	FC-200	1	
04	Cable base cover	SUS304	1	
07	Stator		1	
09	Shaft(with Rotor)	SUS420J2	1	
10A	Auto-cut		1	
10B	Auto-cut plate		1	
11	Bearing fixer	SS41	1	
16	Motor frame	FC-200	1	
17	Lubricant	Turbine oil #32	1	
19	Bearing bracket	FC-200	1	
20A	Upper bearing		1	
20B	Lower bearing		1	
21	M. seal	CA VS CE SIC VS SIC	1	

No.	Part name	Material	QTY	Remark
23	M. seal bracket	FC-200	1	
25	Oil seal	NBR	1	
26	Casing	FC-200	1	
27	Impeller	FC-200	1	
35	Coupling	FC-200	1	
36	Flange	FC-200	1	
41	Handle	SUS304	1	
46	Impeller key	SUS304	1	
47	Packing (1 set)		1	
55	Oil plug	SUS304	1	