

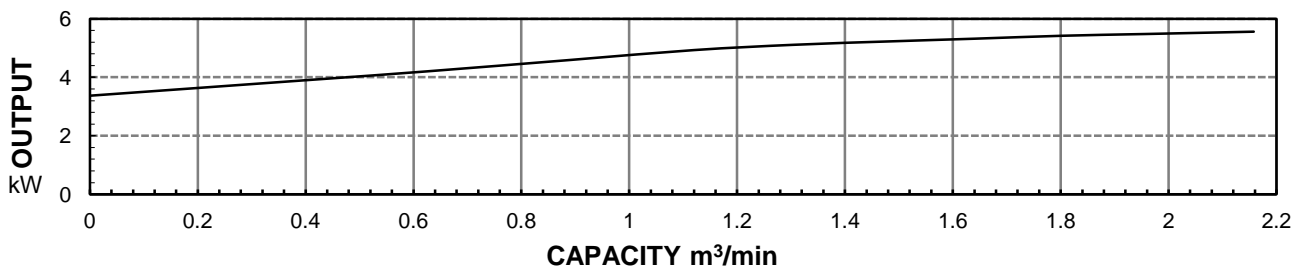
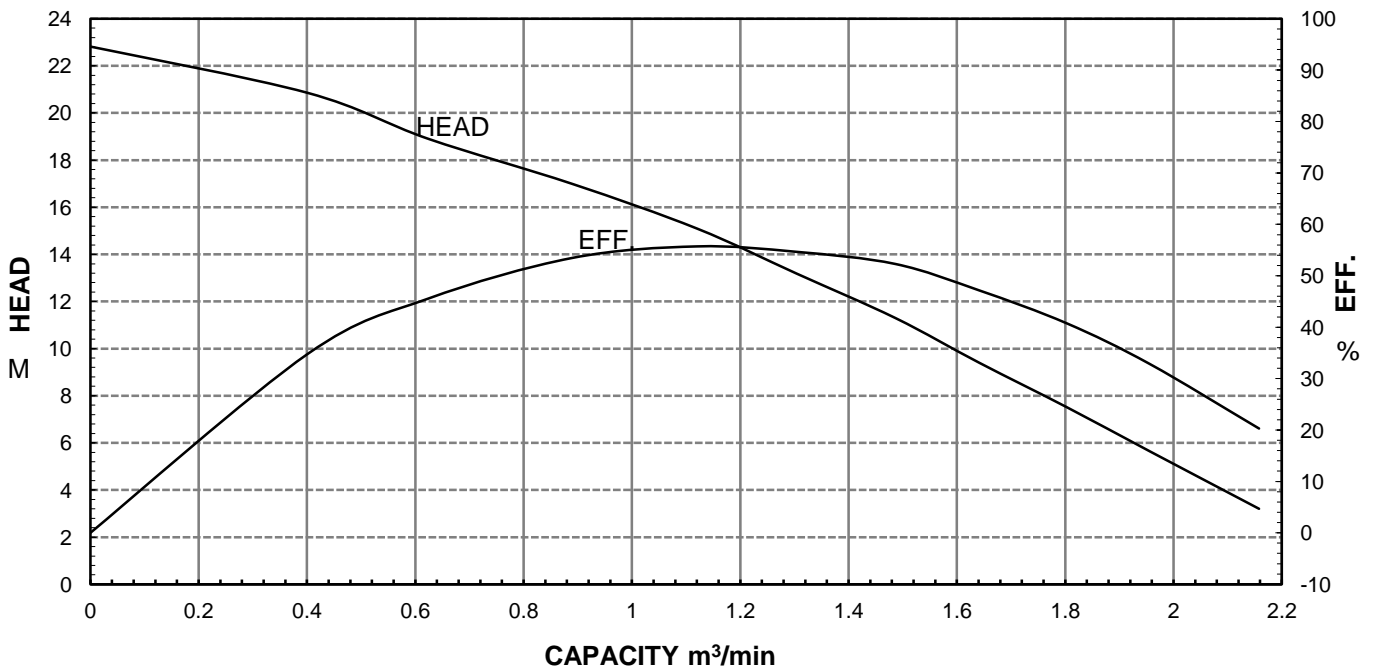


HCP PUMP

FILE NO PC-M-E5-AF55AE

PUMP PERFORMANCE CURVES

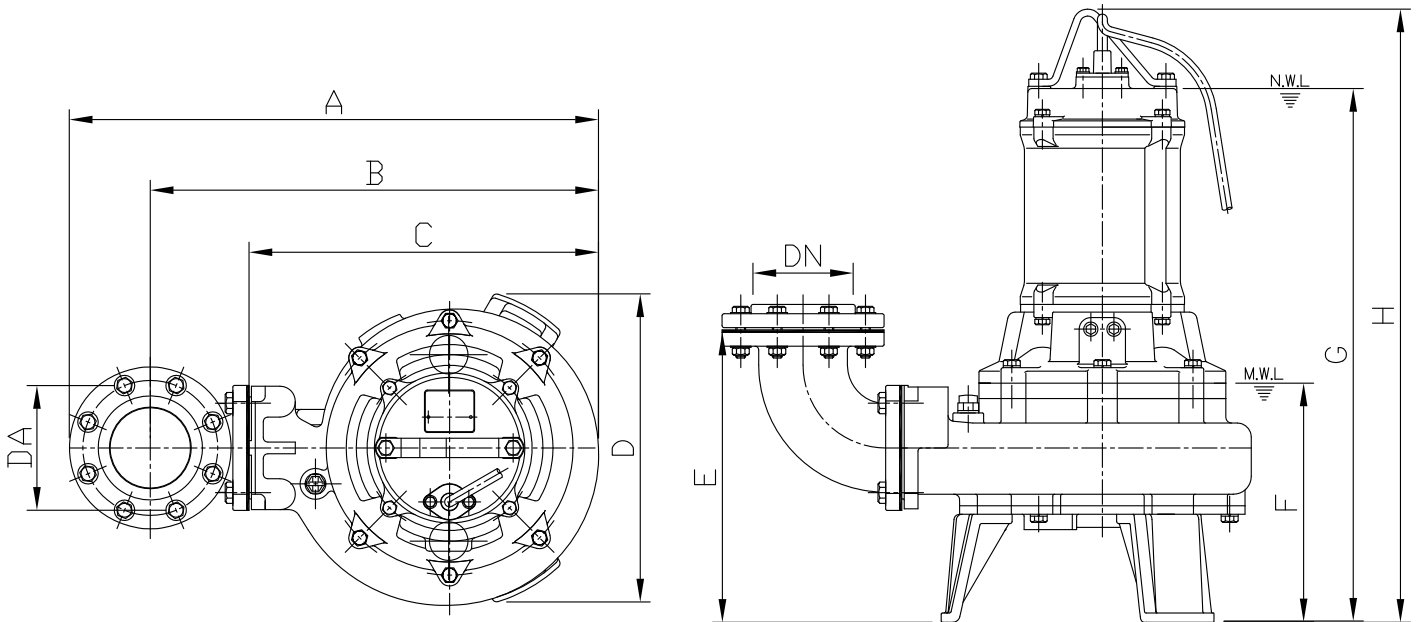
MODEL	AF-55AE					DATE:	2011.1	
	STANDARD SPECIFICATION					REFERENCE SPECIFICATION		
FREQUENCY	50					Hz		
DISCHARGE	4	inch /		100	mm			
OUTPUT	7.5	HP /		5.5	kW			
HEAD	16					M		
CAPACITY	1					m ³ /min		
PHASE/VOLTAGE	3 ϕ	220 V	230 V	380 V	400 V	415 V	ϕ	V
RATED CURRENT		22.0 A	21.8 A	12.7 A	12.6 A	12.0 A		A
POLE / R.P.M.	4	P /		1430	R.P.M.			
START METHOD	DIRECT							
INSULATION CLASS	F							
REMARK								



HCP PUMP MANUFACTURER CO.,LTD.

MODEL: AF-55AE

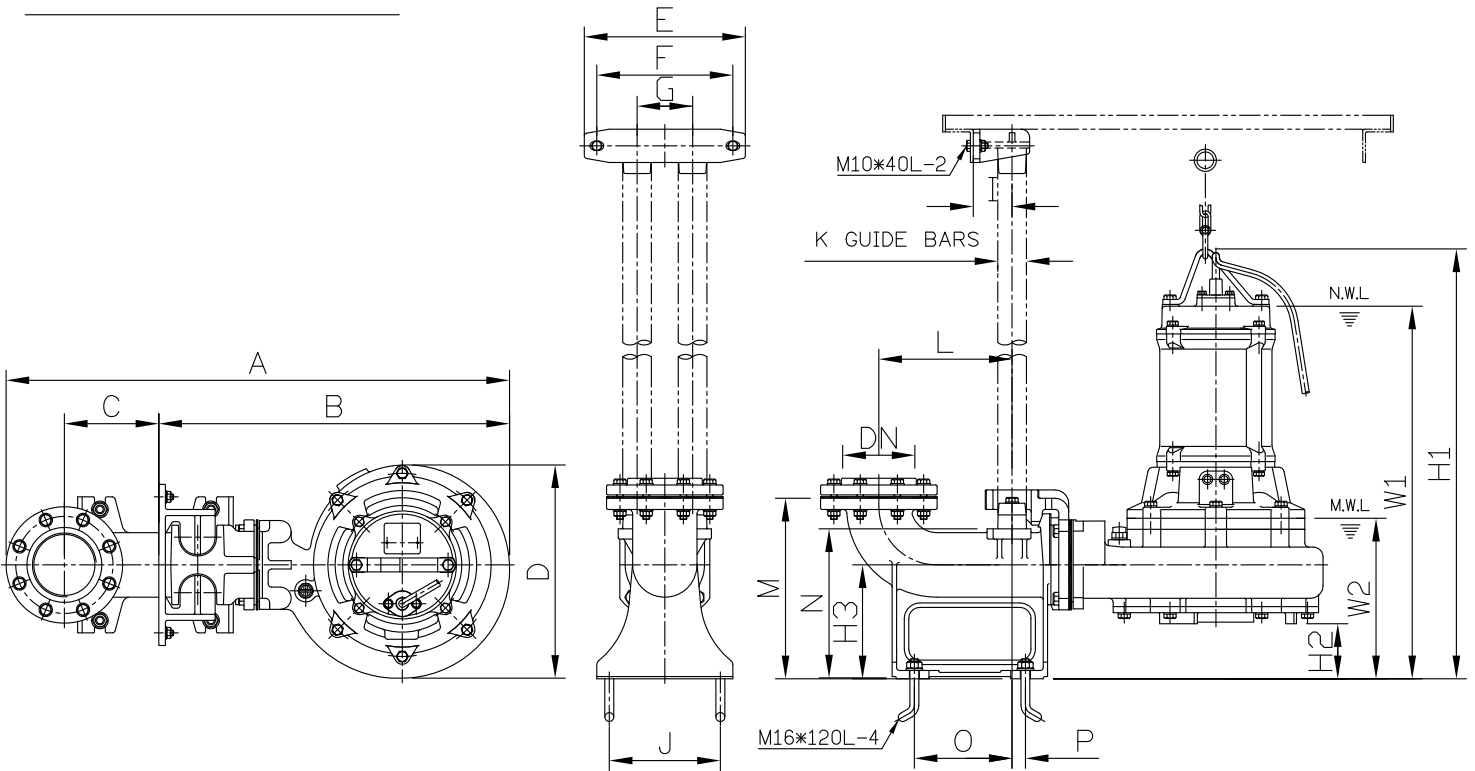
DIMENSION OF PUMP



Model	DN	DA	A	B	C	D	E	F	G	H
AF-55AE	100	175	687	581	453	405	376	310	691	795

N.W.L.: Normal water level
M.W.L.: Minimum water level

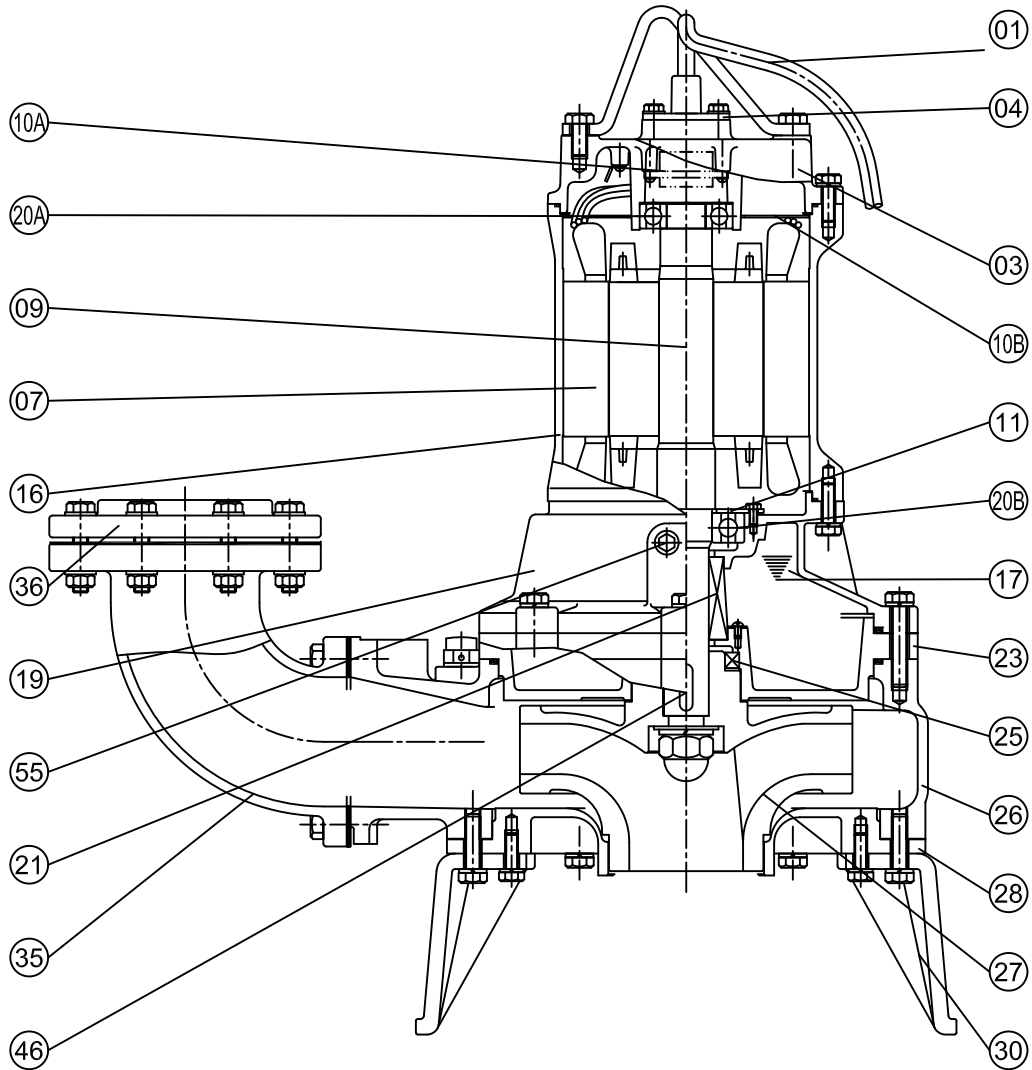
DIMENSION OF GRS



Model	DN	A	B	C	D	E	F	G	I	J	K	L	M	N	O	P	W1	W2	H1	H2	H3
AF-55AE	100	907	632	170	385	290	245	100	70	200	2"	240	325	270	176	24	670	290	774	99	205

Note: When AF-55AE used with GRS, the base foot needs to be dismantled.

MODEL: AF-55AE



No.	Part name	Material	QTY	Remark
01	Cable		1	VCT/H07RN-F UL / CSA
03	Upper cover	FC-200	1	
04	Cable base cover	SUS304	1	
07	Stator		1	
09	Shaft(with Rotor)	SUS420J2	1	
10A	Auto-cut		1	
10B	Auto-cut plate		1	
11	Bearing fixer		1	
16	Motor frame	FC-200	1	
17	Lubricant	Turbine oil #32	1	
19	Bearing bracket	FC-200	1	
20A	Upper bearing		1	
20B	Lower bearing		1	
21	M. seal	CA VS CE SIC VS SIC	1	
23	M. seal bracket	FC-200	1	

No.	Part name	Material	QTY	Remark
25	Oil seal	NBR	1	
26	Casing		1	
27	Impeller	FC-200	1	
28	Casing cover	FC-200	1	
30	Footing	FC-200	3	
35	Coupling	FC-200	1	
36	Flange	FC-200	1	
41	Handle	SS41	1	
46	Impeller key	SUS304	1	
47	Packing (1 set)		1	
55	Oil plug	SUS304	2	