

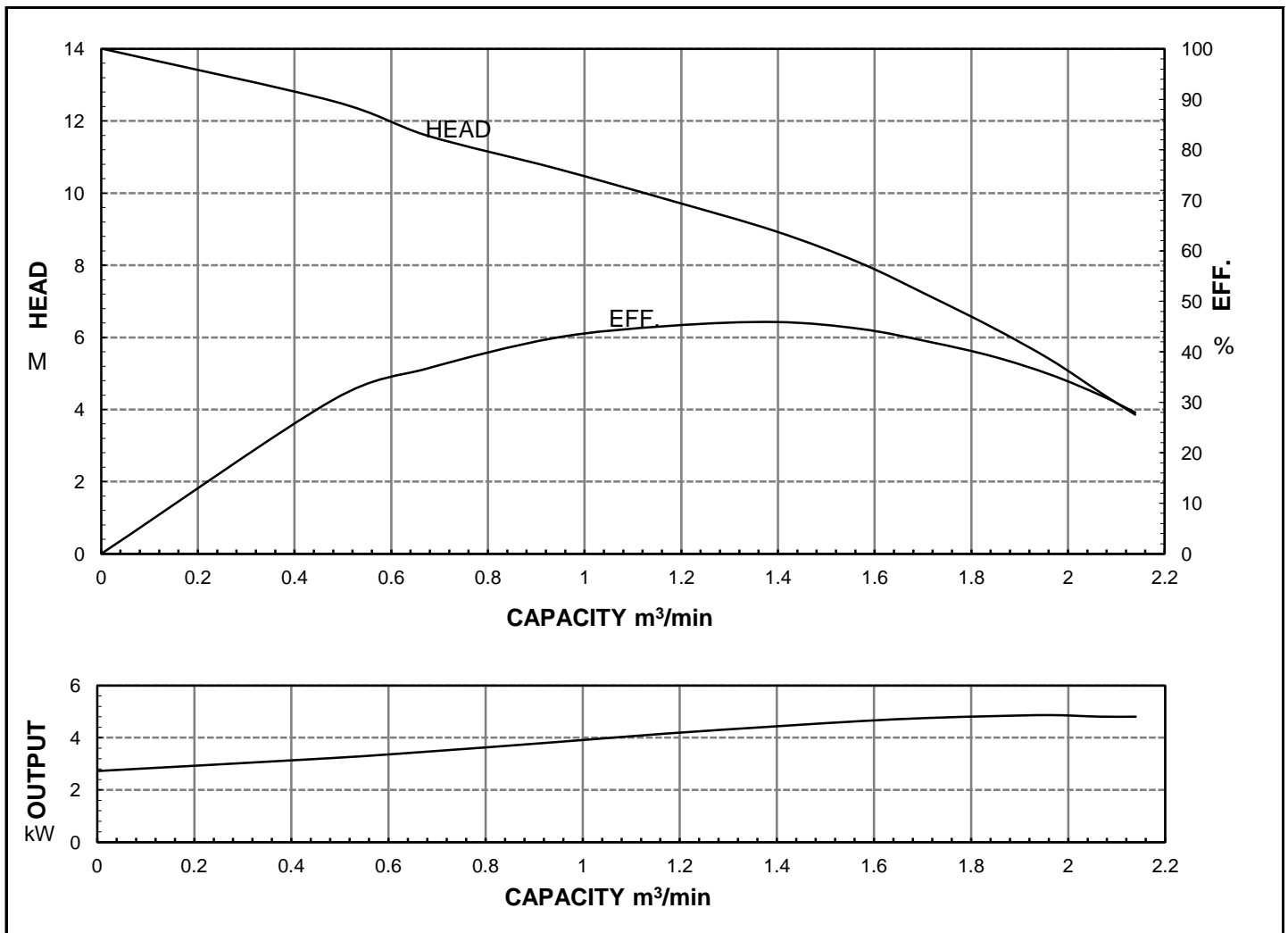


HCP PUMP

FILE NO PC-M-E5-AF55AU

PUMP PERFORMANCE CURVES

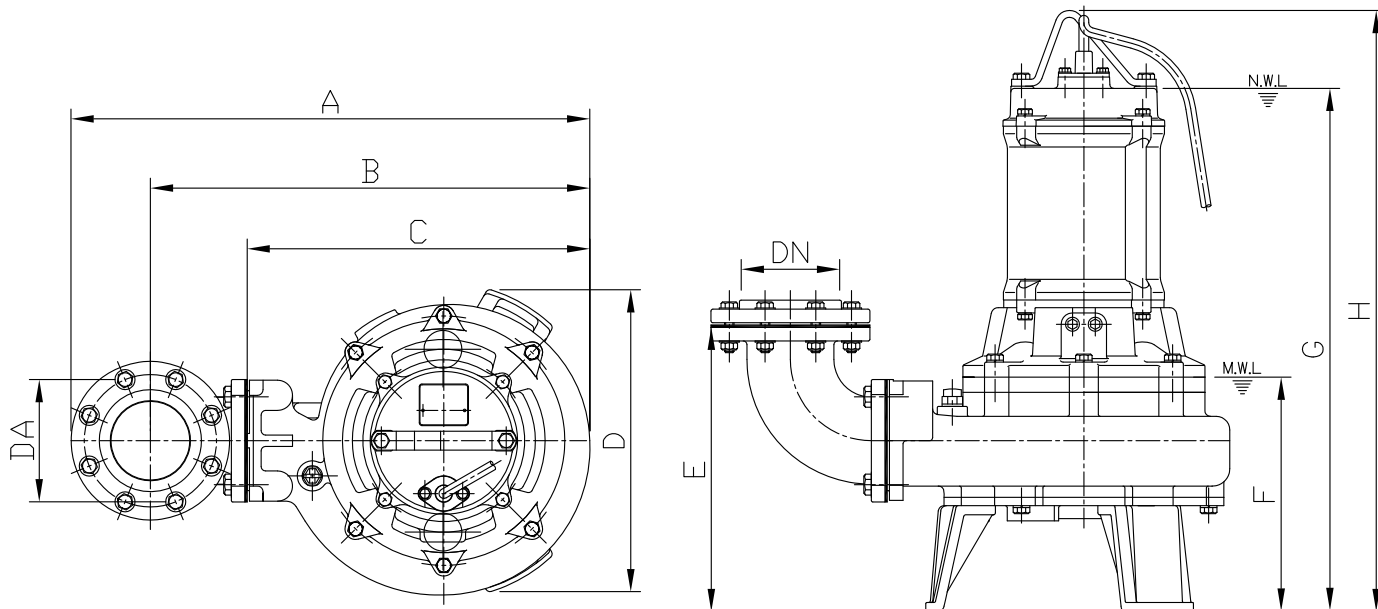
MODEL	AF-55AU				DATE:	2011.1
	STANDARD SPECIFICATION				REFERENCE SPECIFICATION	
FREQUENCY	50			Hz		
DISCHARGE	4	inch	/	100	mm	
OUTPUT	7.5	HP	/	5.5	kW	HP kW
HEAD	10.5			M		
CAPACITY	1			m ³ /min		
PHASE/VOLTAGE	3 φ	230 V	380 V	400 V	415 V	φ V
RATED CURRENT		21.8 A	12.7 A	12.6 A	12.0 A	A
POLE / R.P.M.	4	P	/	1430	R.P.M.	
START METHOD	DIRECT					
INSULATION CLASS	F					
REMARK						



HCP PUMP MANUFACTURER CO.,LTD.

MODEL: AF-55A

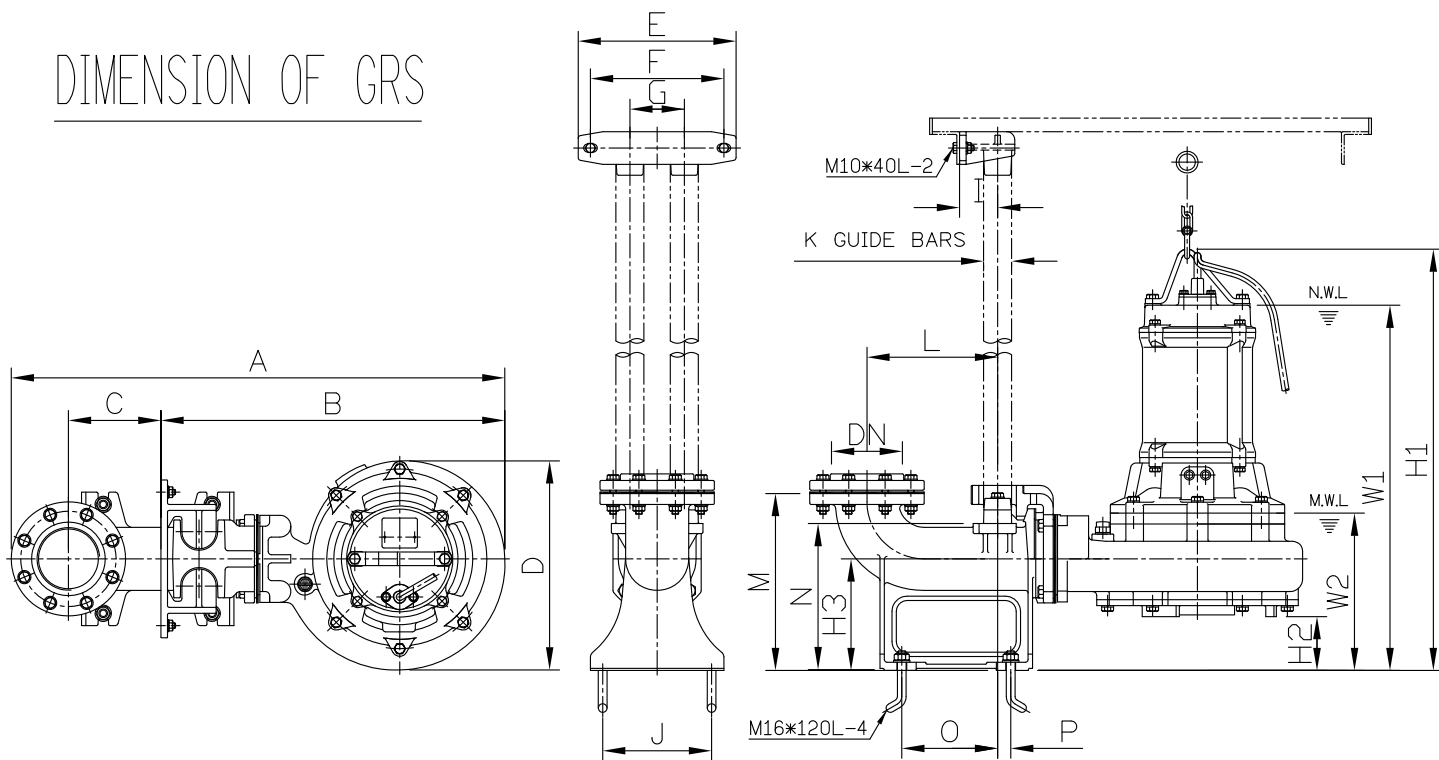
DIMENSION OF PUMP



Model	DN	DA	A	B	C	D	E	F	G	H
AF-55A	100	100	687	581	453	405	376	310	691	795

N.W.L: Normal water level
M.W.L: Minimum water level

DIMENSION OF GRS

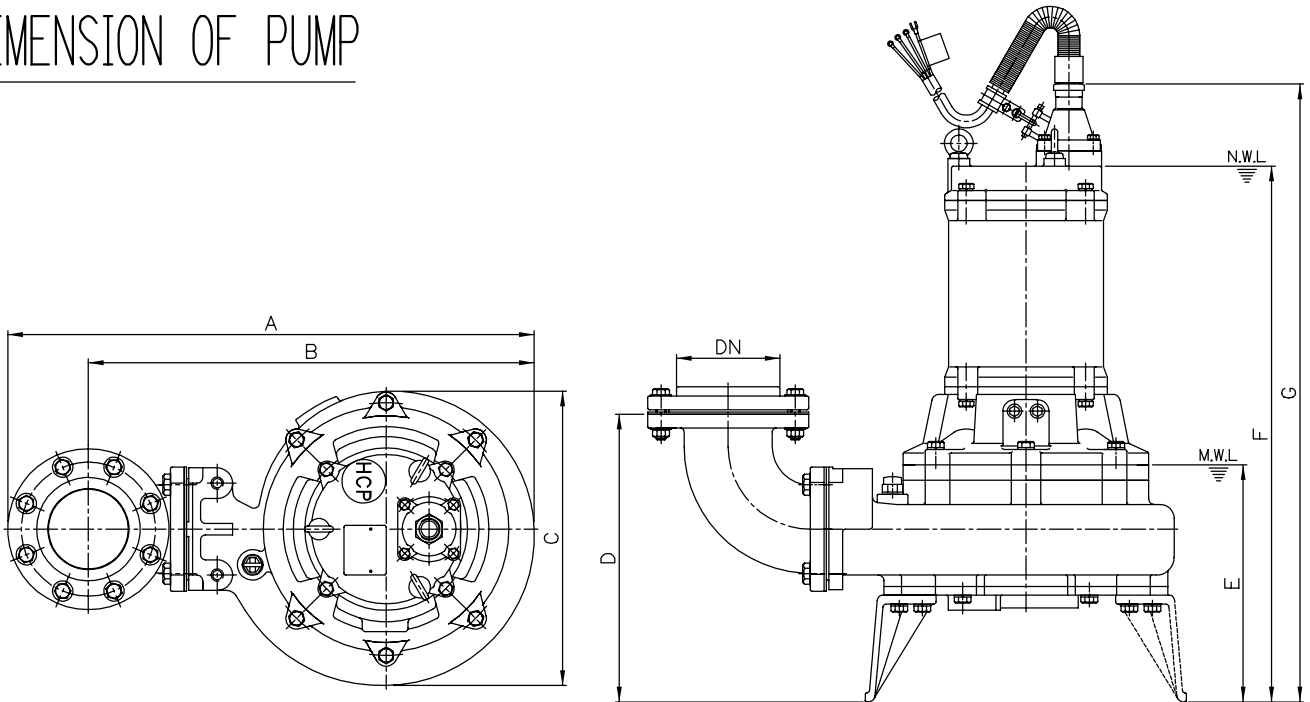


Model	DN	A	B	C	D	E	F	G	I	J	K	L	M	N	O	P	W1	W2	H1	H2	H3
AF-55A	100	907	632	170	385	290	245	100	70	200	2"	240	325	270	176	24	670	290	774	99	205

Note: When AF-55A used with GRS,the base foot needs to be dismantled.

MODEL: AF-22;AF-37;AF-55;AF-75

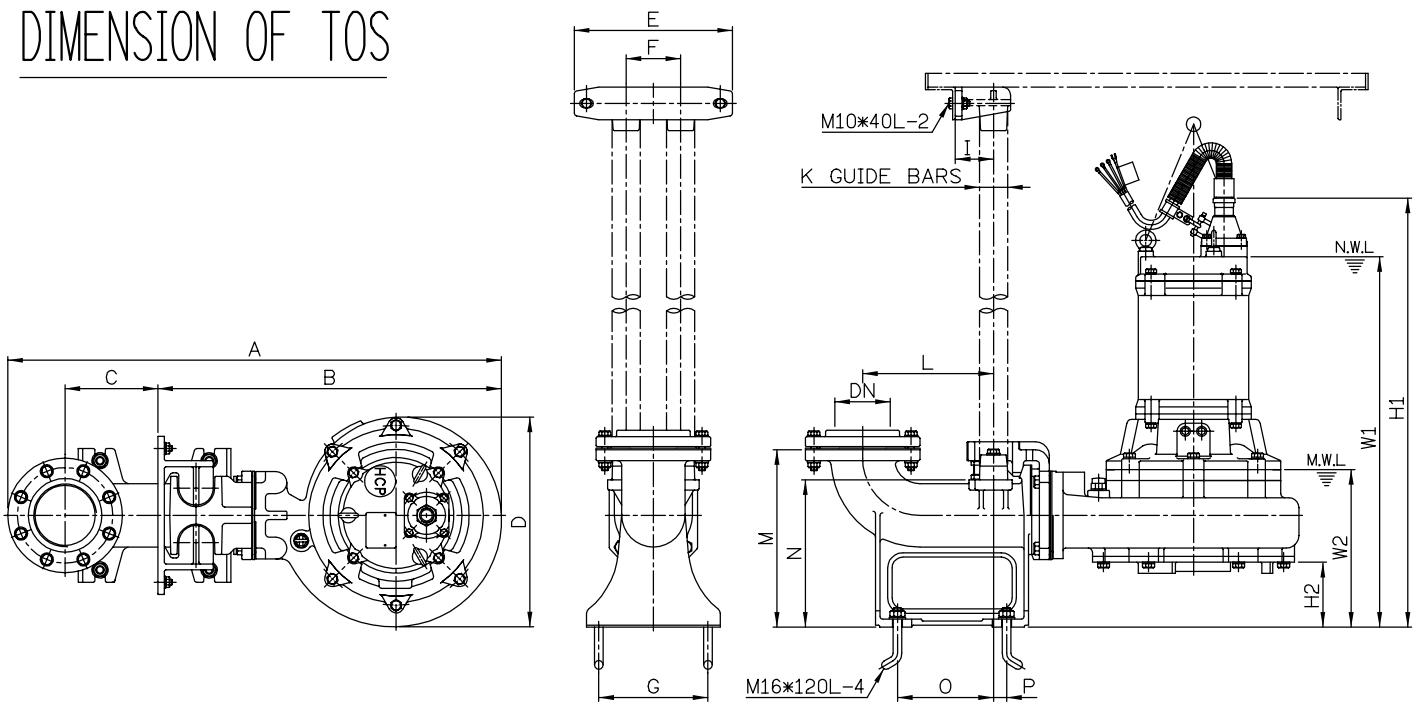
DIMENSION OF PUMP



Type	DN	A	B	C	D	E	F	G
AF-22	80	560	469	321	313	239	573	650
AF-37	100	560	469	321	324	275	650	740
AF-55	100	687	582	385	377	311	698	807
AF-75	100	687	582	385	377	311	707	816

N.W.L: Normal water level
M.W.L: Minimum water level

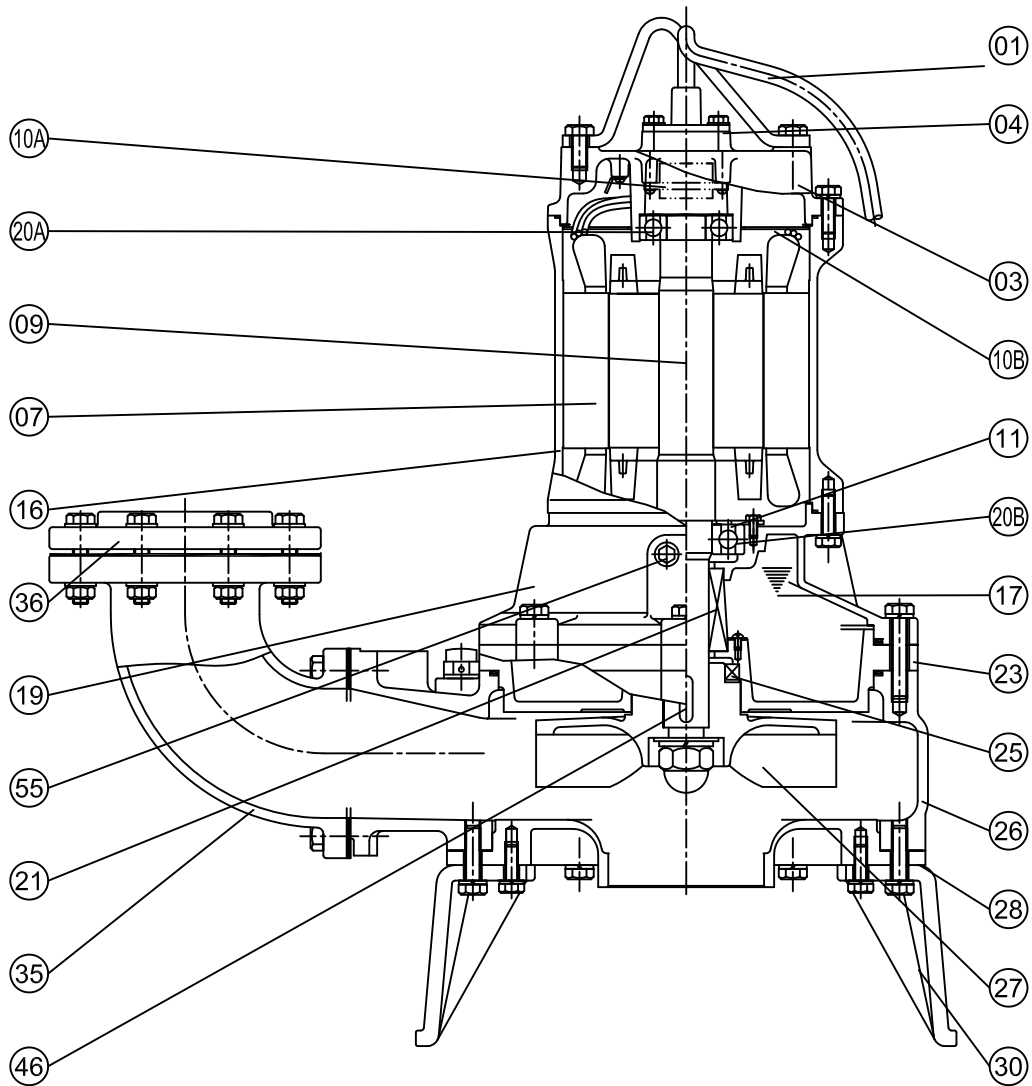
DIMENSION OF TOS



Type	DN	A	B	C	D	E	F	G	I	K	L	M	N	O	P	W1	W2	H1	H2
AF-22	80	748	525	130	321	230	80	150	60	1 1/4"	190	285	233	135	15	589	254	664	106
AF-37	100	796	525	166	321	230	80	170	60	1 1/4"	225	291	238	155	15	661	286	750	108
AF-55	100	923	648	170	385	290	100	200	70	2"	240	325	270	176	24	676	289	785	118
AF-75	100	923	648	170	385	290	100	200	70	2"	240	325	270	176	24	685	289	794	118

Note: When AF-22;AF-37;AF-55;AF-75 used with TOS,the base foot needs to be dismantled.

MODEL: AF-55AU



No.	Part name	Material	QTY	Remark
01	Cable		1	VCT/H07RN-F UL / CSA
03	Upper cover	FC-200	1	
04	Cable base cover	SUS304	1	
07	Stator		1	
09	Shaft(with Rotor)	SUS420J2	1	
10A	Auto-cut		1	
10B	Auto-cut plate		1	
11	Bearing fixer		1	
16	Motor frame	FC-200	1	
17	Lubricant	Turbine oil #32	1	
19	Bearing bracket	FC-200	1	
20A	Upper bearing		1	
20B	Lower bearing		1	
21	M. seal	CA VS CE SIC VS SIC	1	
23	M. seal bracket	FC-200	1	

No.	Part name	Material	QTY	Remark
25	Oil seal	NBR	1	
26	Casing		1	
27	Impeller	FC-200	1	
28	Casing cover	FC-200	1	
30	Footing	FC-200	3	
35	Coupling	FC-200	1	
36	Flange	FC-200	1	
41	Handle	SS41	1	
46	Impeller key	SUS304	1	
47	Packing (1 set)		1	
55	Oil plug	SUS304	2	