

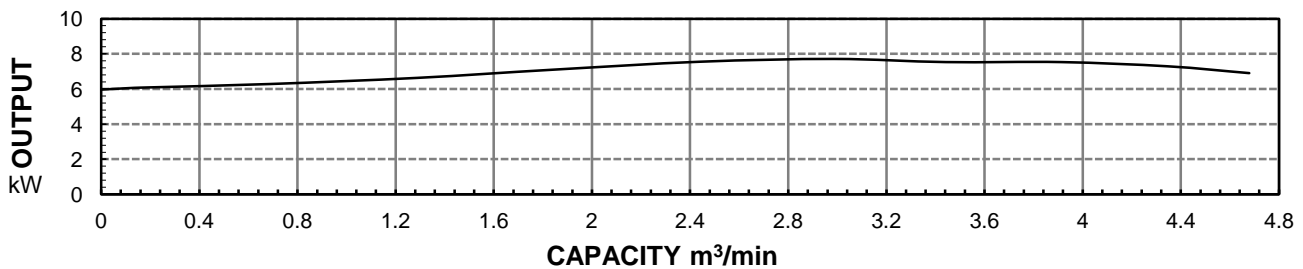
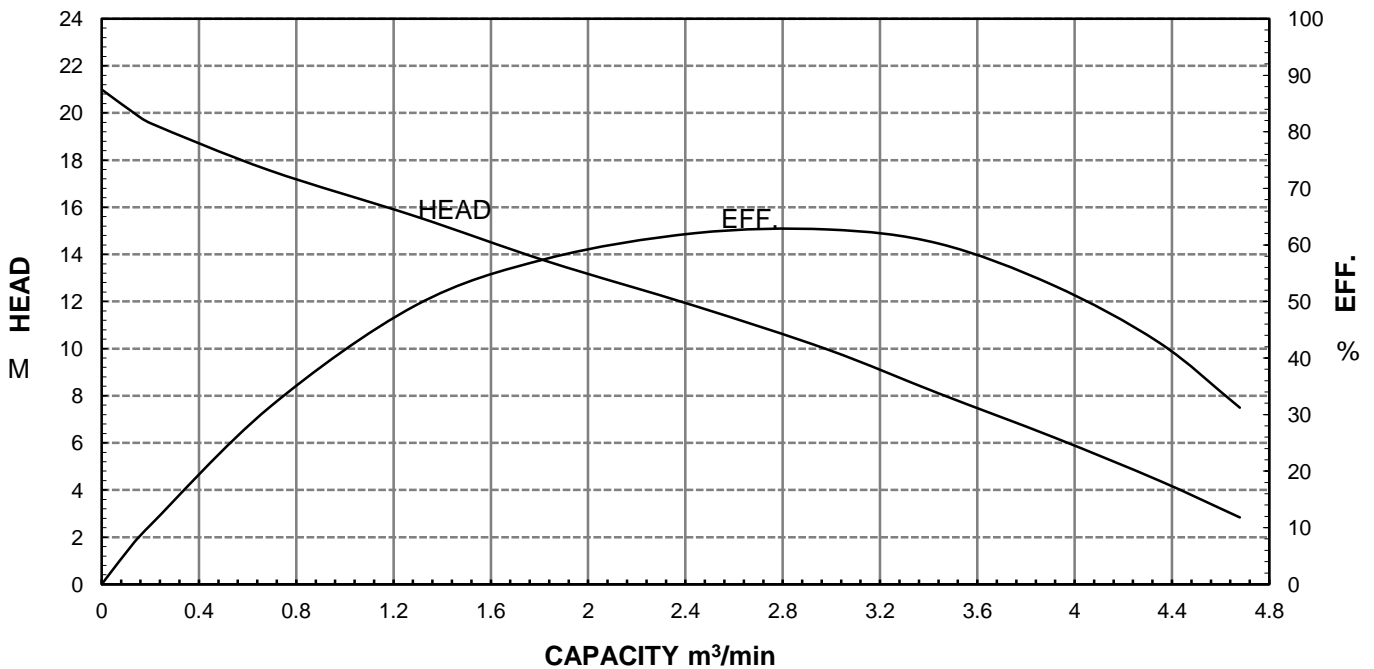


HCP PUMP

FILE NO PC-M-E5-AF610

PUMP PERFORMANCE CURVES

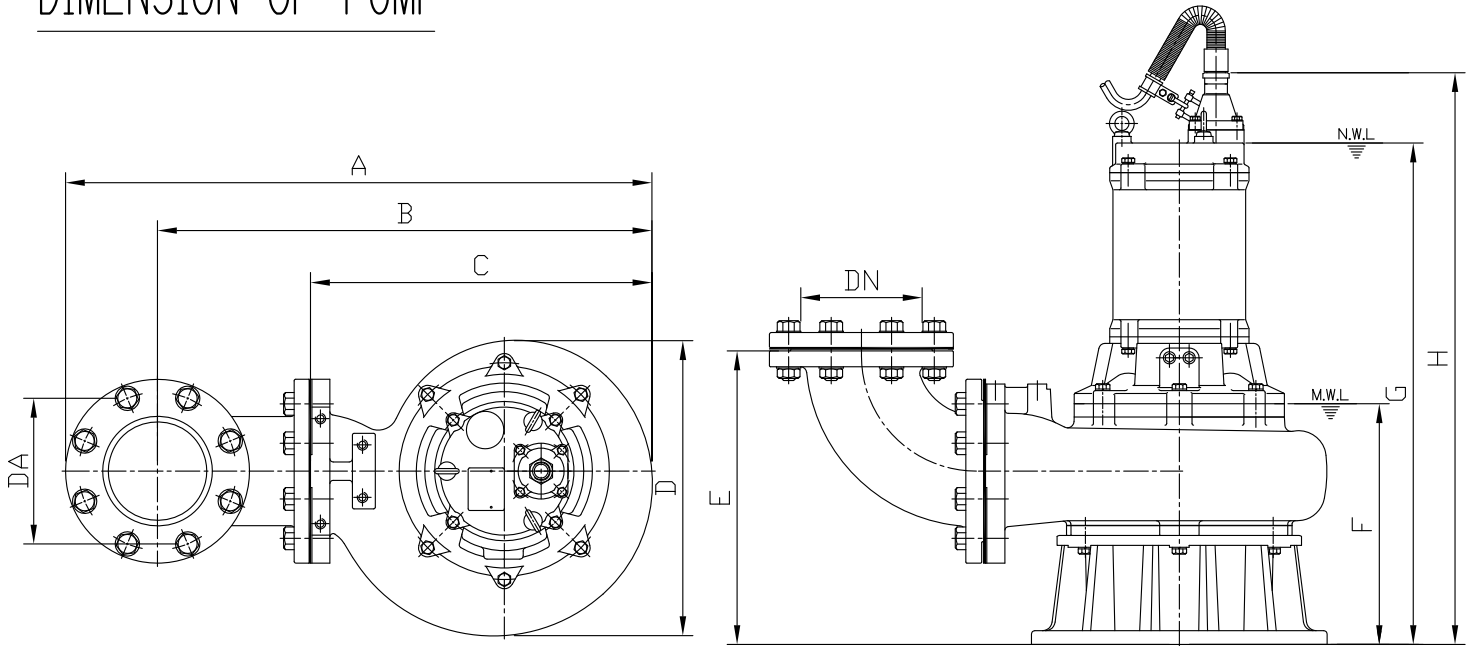
MODEL	AF-610				DATE:	2011.1
	STANDARD SPECIFICATION				REFERENCE SPECIFICATION	
FREQUENCY	50			Hz		
DISCHARGE	6	inch	/	150	mm	
OUTPUT	10	HP	/	7.5	kW	HP kW
HEAD	11			M		
CAPACITY	2.5			m ³ /min		
PHASE/VOLTAGE	3 φ	230 V	380 V	400 V	415 V	φ V
RATED CURRENT		27.6 A	16.2 A	16.0 A	15.2 A	A
POLE / R.P.M.	4	P	/	1440	R.P.M.	
START METHOD	DIRECT					
INSULATION CLASS	F					
REMARK						



HCP PUMP MANUFACTURER CO.,LTD.

MODEL: AF-610

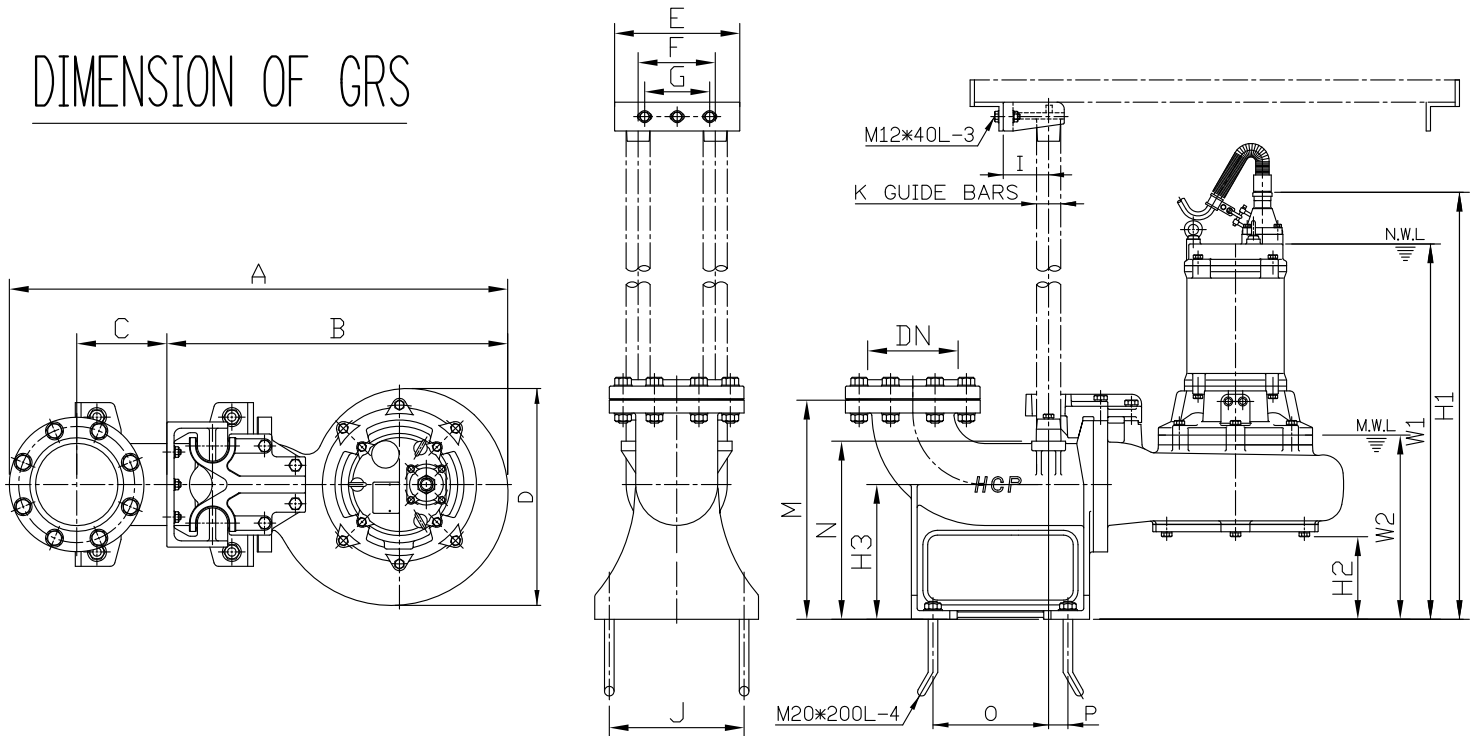
DIMENSION OF PUMP



Model	DN	DA	A	B	C	D	E	F	G	H
AF-610	150	240	888	748	559	449	493	365	762	870

N.W.L.: Normal water level
M.W.L.: Minimum water level

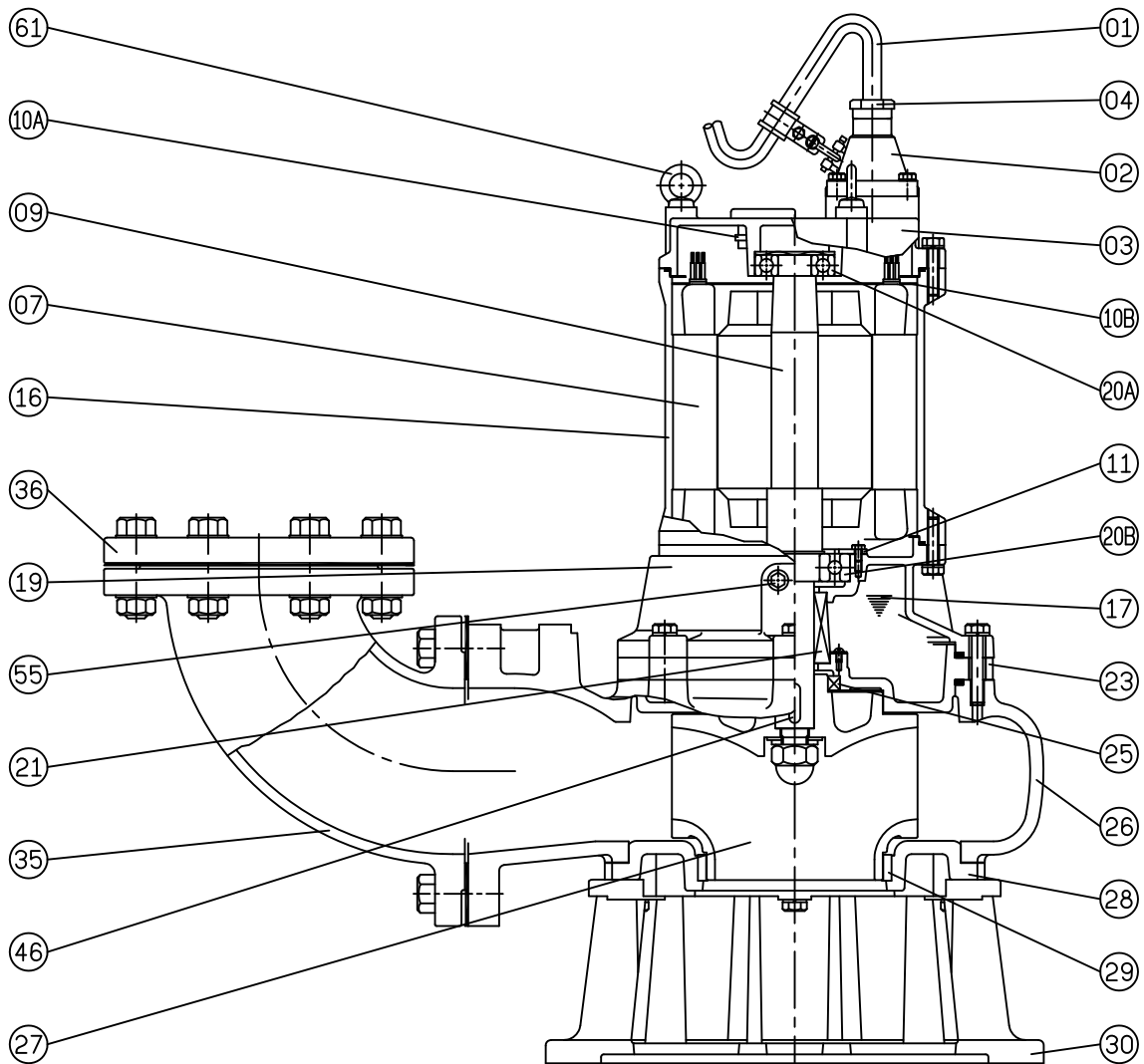
DIMENSION OF GRS



Model	DN	A	B	C	D	E	F	G	I	J	K	M	N	O	P	W1	W2	H1	H2	H3
AF-610	150	1035	708	187	449	260	160	135	95	280	2"	455	370	240	40	779	382	887	182	280

Note: When AF-610 used with GRS,the base foot needs to be dismantled.

MODEL: AF-610



No.	Part name	Material	QTY	Remark
01	Cable		1	VCT/H07RN-F UL / CSA
02	Cable base	FC-200	1	
03	Upper cover	FC-200	1	
04	Cable base cover	SS41	1	
07	Stator		1	
09	Shaft(with Rotor)	SUS304	1	
10A	Auto-cut		1	
10B	Auto-cut plate		1	
11	Bearing fixer	SS41	1	
16	Motor frame	FC-200	1	
17	Lubricant	Turbine oil #32	1	
19	Bearing bracket	FC-200	1	
20A	Upper bearing		1	
20B	Lower bearing		1	
21	M. seal	CA VS CE SIC VS SIC	1	

No.	Part name	Material	QTY	Remark
23	M. seal bracket	FC-200	1	
25	Oil seal	NBR	1	
26	Casing	FC-200	1	
27	Impeller	FC-200	1	
28	Casing cover	FC-200	1	
29	Impeller bush	Cr steel	1	
30	Footing	FC-200	1	
35	Coupling	FC-200	1	
36	Flange	FC-200	1	
46	Impeller key	SUS304	1	
47	Packing (1 set)		1	
55	Oil plug	SUS304	2	
61	S.T. chain (with Eye bolt)	SUS304	3	