

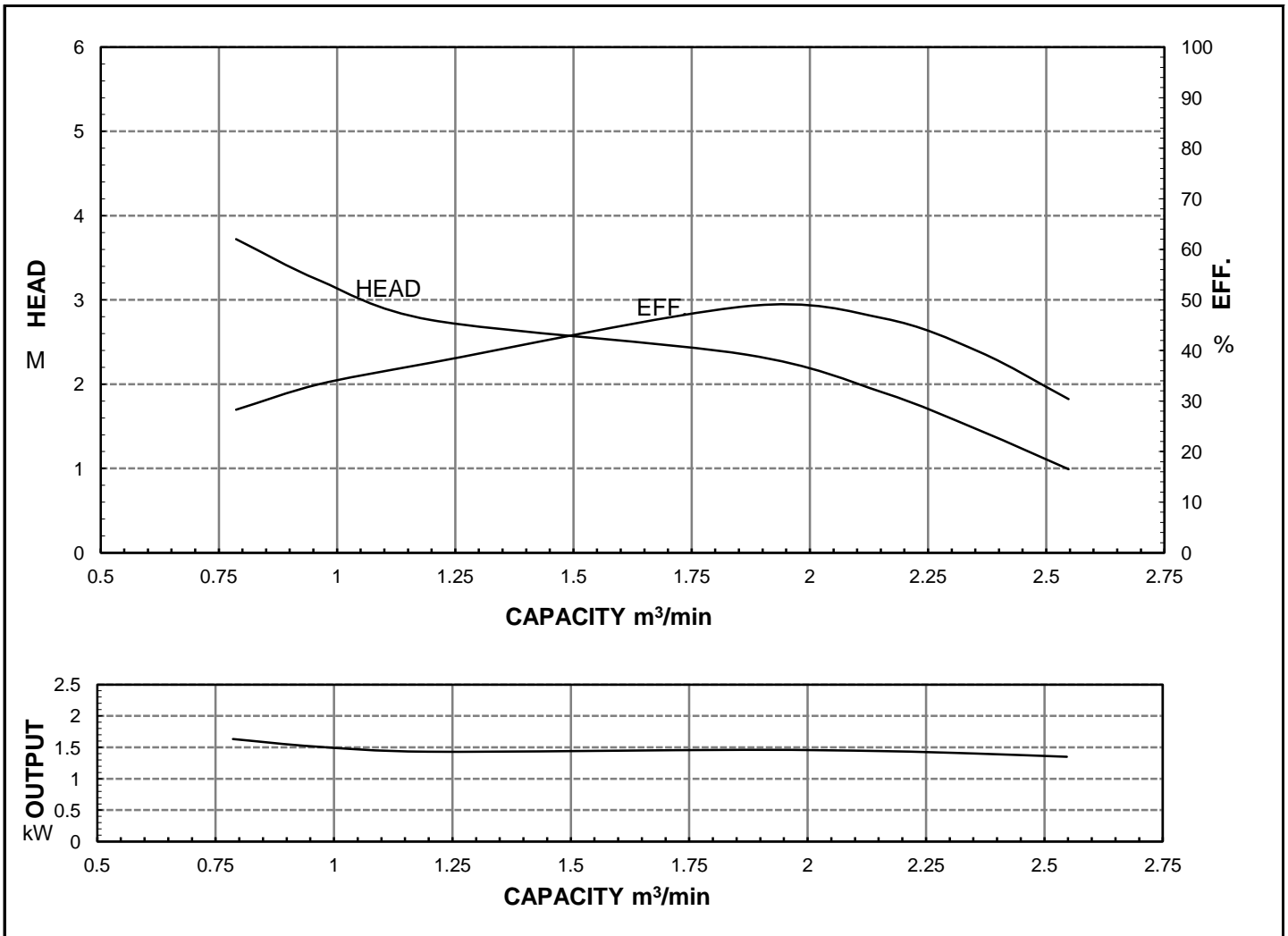


# HCP PUMP

FILE NO PC-M-E5-L62

## PUMP PERFORMANCE CURVES

MODEL	L-62				DATE:	2011.12
	STANDARD SPECIFICATION				REFERENCE SPECIFICATION	
FREQUENCY	50			Hz		
DISCHARGE	6	inch	/	150	mm	
OUTPUT	2	HP	/	1.5	kW	HP      kW
HEAD	2			M		
CAPACITY	2			m <sup>3</sup> /min		
PHASE/VOLTAGE	3 φ	230 V	380 V	400 V	415 V	φ      V
RATED CURRENT		6.6 A	3.9 A	3.8 A	3.6 A	A
POLE / R.P.M.	4	P	/	1420	R.P.M.	
START METHOD	DIRECT					
INSULATION CLASS	B					
REMARK						



HCP PUMP MANUFACTURER CO.,LTD.

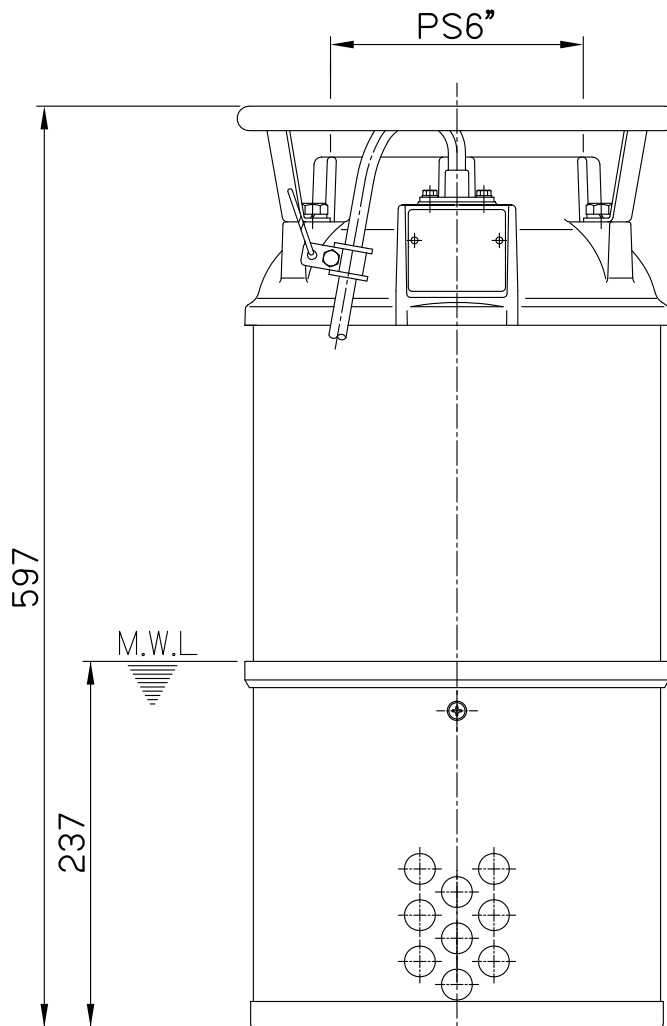
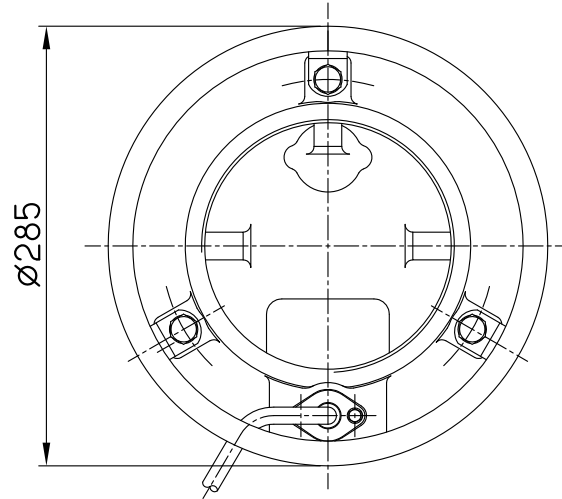
HCP PUMP

DIMENSIONAL DRAWING

No:DE-L63-1

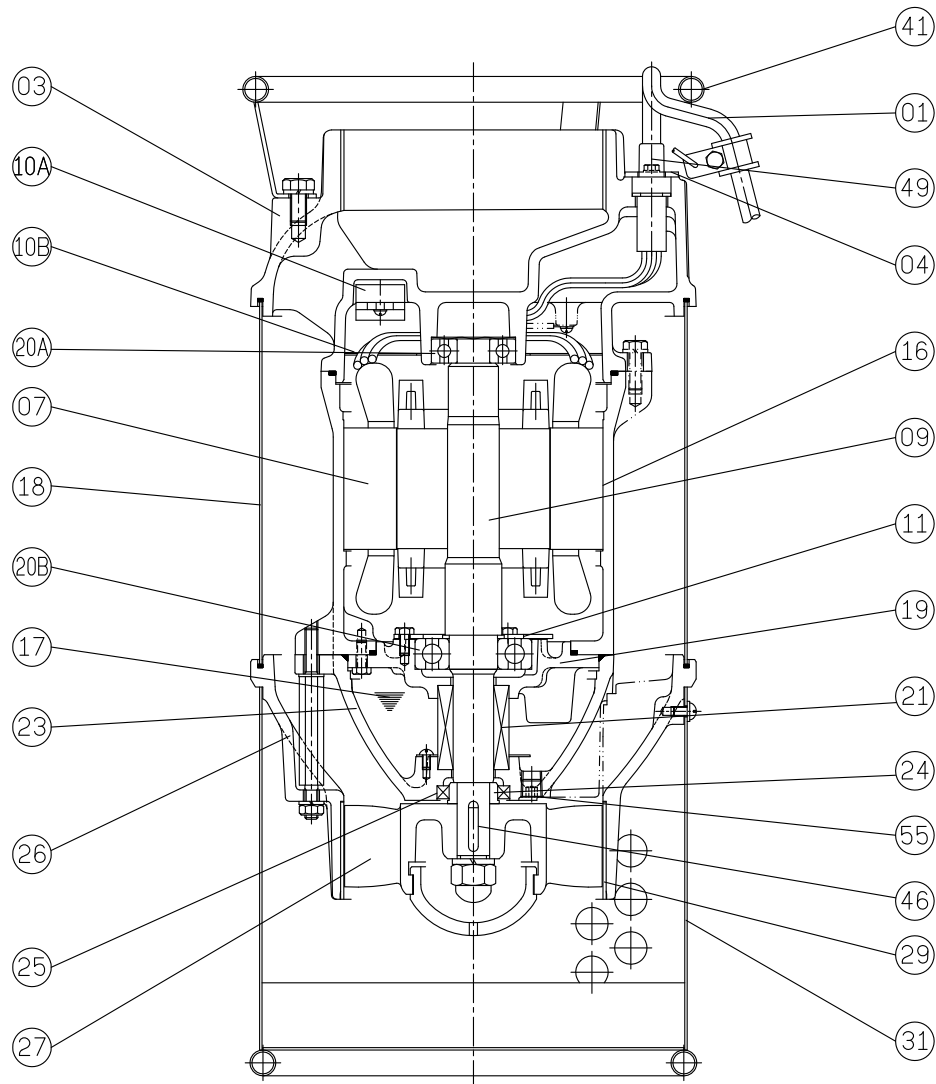
Date:2009-05

MODEL:L-62、L-63



M.W.L: Minimum water level

## MODE:L-L62、L-63



No.	Part name	Material	QTY	Remark
01	Cable		1	VCT/H07RN-F UL/CSA
03	Upper cover	FC-200	1	
04	Cable base cover	SUS304	1	
07	Stator		1	
09	Shaft(with Rotor)	SUS304	1	
10A	Auto-cut		1	
10B	Auto-cut plate		1	
11	Bearing fixer		1	
16	Motor frame	FC-200	1	
17	Lubricant	Turbine oil #32	1	
18	Out cover	SUS304	1	
19	Bearing bracket	FC-200	1	
20A	Upper bearing		1	
20B	Lower bearing		1	

No.	Part name	Material	QTY	Remark
21	M. seal	CA VS CE SIC VS SIC	1	
23	M. seal bracket	FC-200	1	
24	Oil seal bush	SUS304	1	
25	Oil seal		1	
26	Casing	FC-200	1	
27	Impeller	ALBC3	1	
29	Wear ring	SUS304	1	
31	Strainer	SUS304	1	
41	Handle	SUS304	1	
46	Impeller key	SUS304	1	
47	Packing (1 set)		1	
49	Cable sleeve	NEOPRENE	1	
55	Oil plug	SUS304	1	