

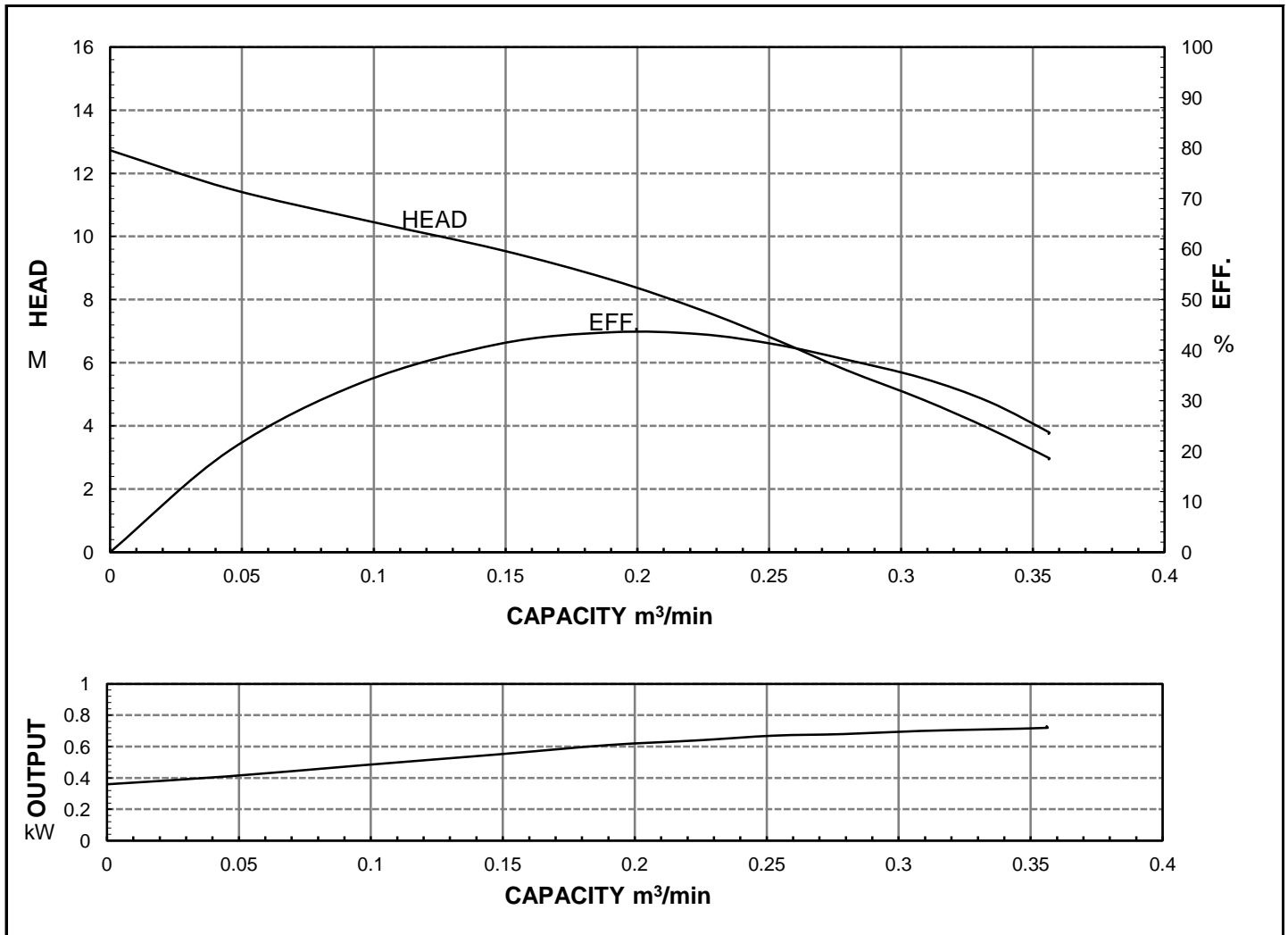


HCP PUMP

FILE NO PC-M-E5-SF21AU1

PUMP PERFORMANCE CURVES

MODEL	SF-21AU					DATE:	2011.12	
	STANDARD SPECIFICATION					REFERENCE SPECIFICATION		
FREQUENCY	50					Hz		
DISCHARGE	2	inch	/	50	mm			
OUTPUT	1	HP	/	0.75	kW	HP	kW	
HEAD	8					M		
CAPACITY	0.2					m ³ /min		
PHASE/VOLTAGE	1	φ	220 V	230 V	240 V		φ	V
RATED CURRENT		5.4 A	5.2 A	5.0 A				A
POLE / R.P.M.	2	P	/	2800	R.P.M.			
START METHOD	DIRECT							
INSULATION CLASS	B							
REMARK								



HCP PUMP MANUFACTURER CO.,LTD.

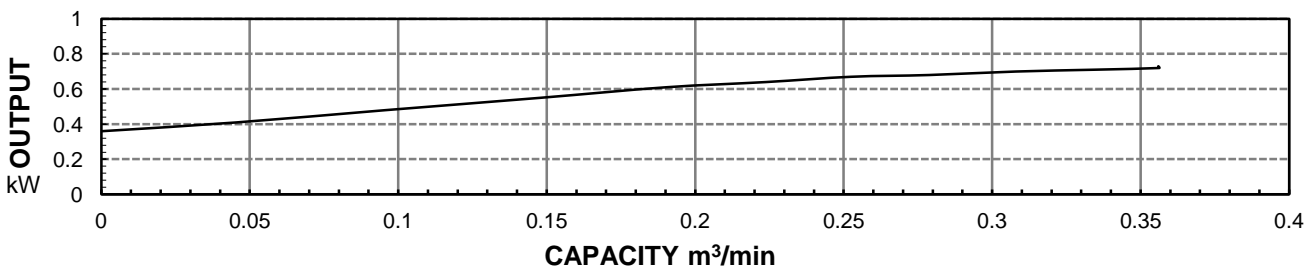
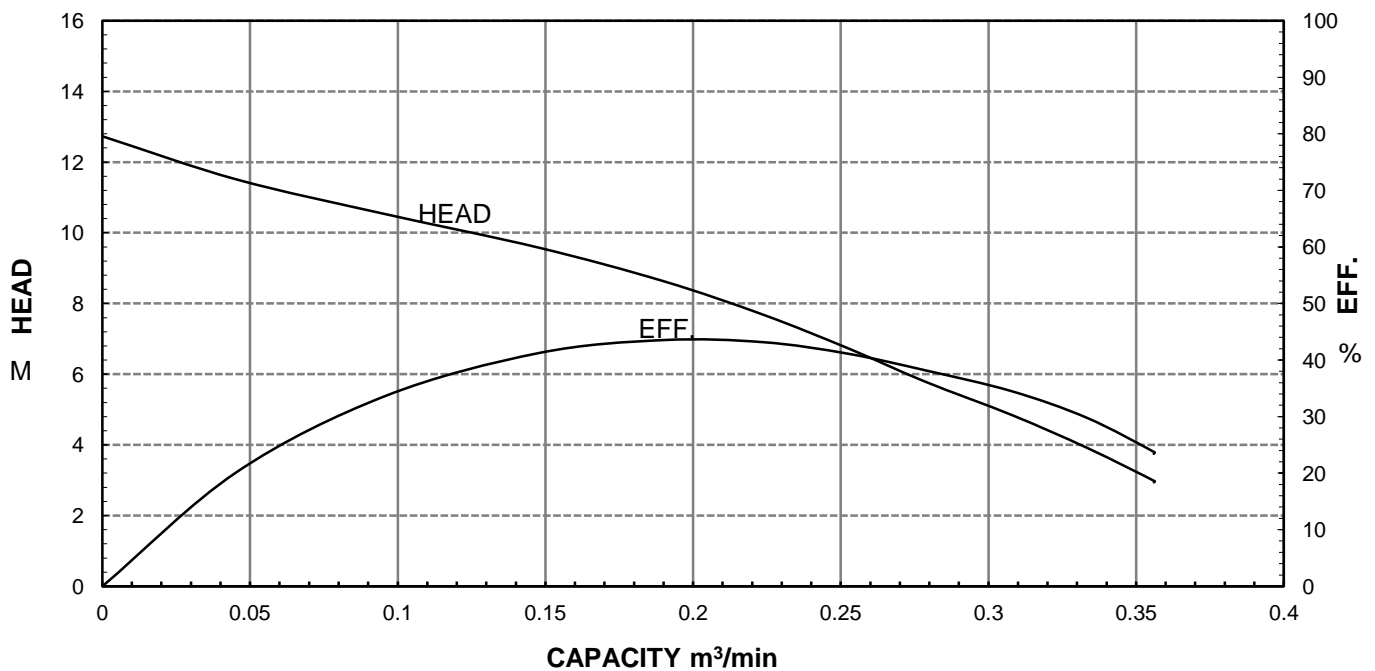


HCP PUMP

FILE NO PC-M-E5-SF21AU3

PUMP PERFORMANCE CURVES

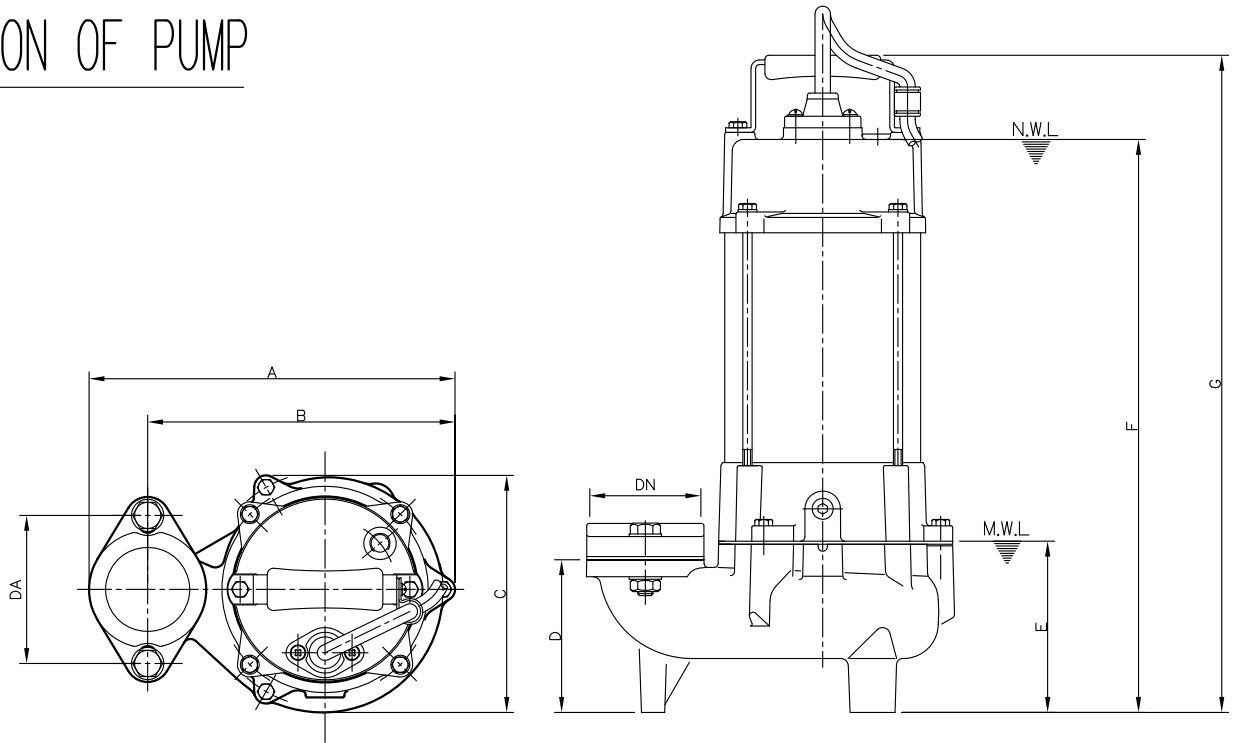
MODEL	SF-21AU				DATE:	2011.12
	STANDARD SPECIFICATION				REFERENCE SPECIFICATION	
FREQUENCY	50			Hz		
DISCHARGE	2	inch	/	50	mm	
OUTPUT	1	HP	/	0.75	kW	HP kW
HEAD	8			M		
CAPACITY	0.2			m ³ /min		
PHASE/VOLTAGE	3 φ	230 V	380 V	400 V	415 V	φ V
RATED CURRENT		3.3 A	2.0 A	1.9 A	1.8 A	A
POLE / R.P.M.	2	P	/	2800	R.P.M.	
START METHOD	DIRECT					
INSULATION CLASS	B					
REMARK						



HCP PUMP MANUFACTURER CO.,LTD.

MODEL: SF-05AU;SF-21AU

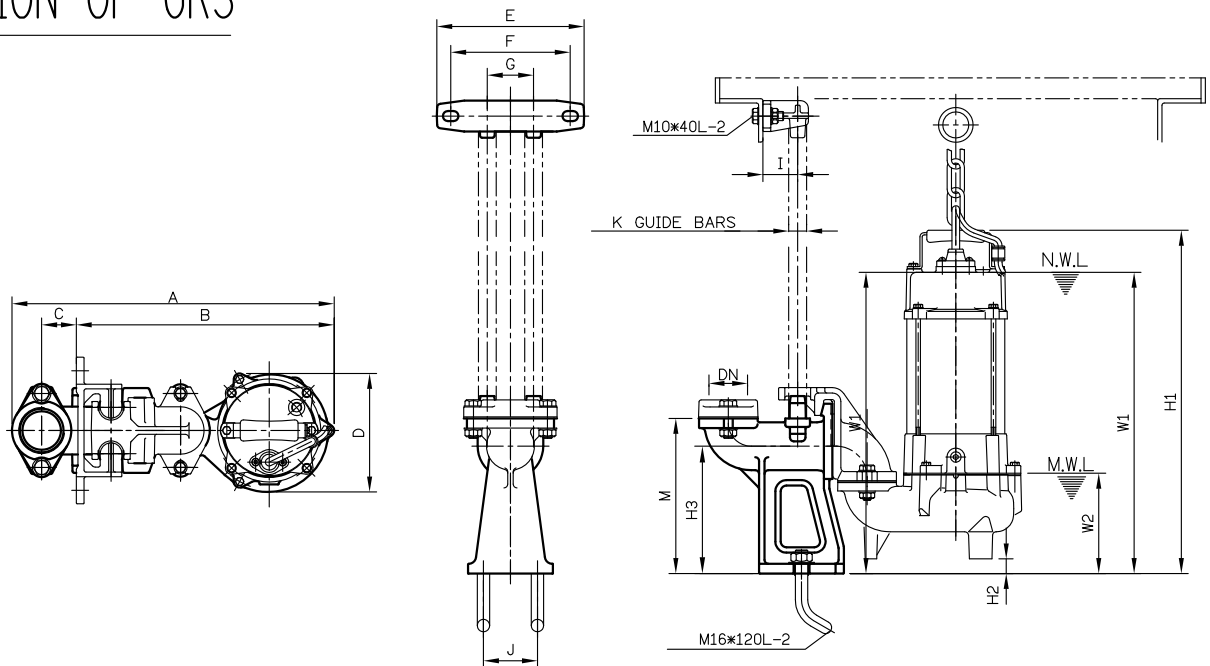
DIMENSION OF PUMP



Model	DN	DA	A	B	C	D	E	F	G
SF-05AU	50	96	237	199	154	99	109	372	427
SF-21AU	50	96	237	199	154	99	109	372	427

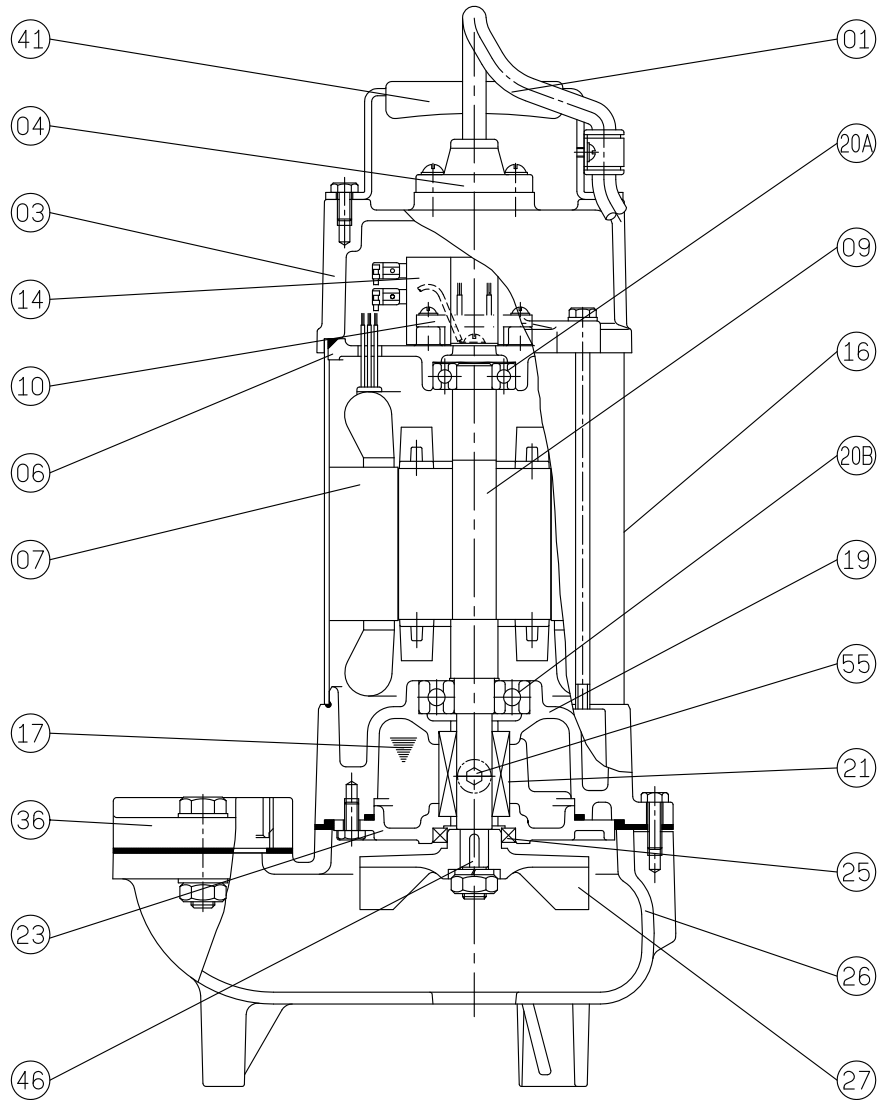
N.W.L: Normal water level
M.W.L: Minimum water level

DIMENSION OF GRS



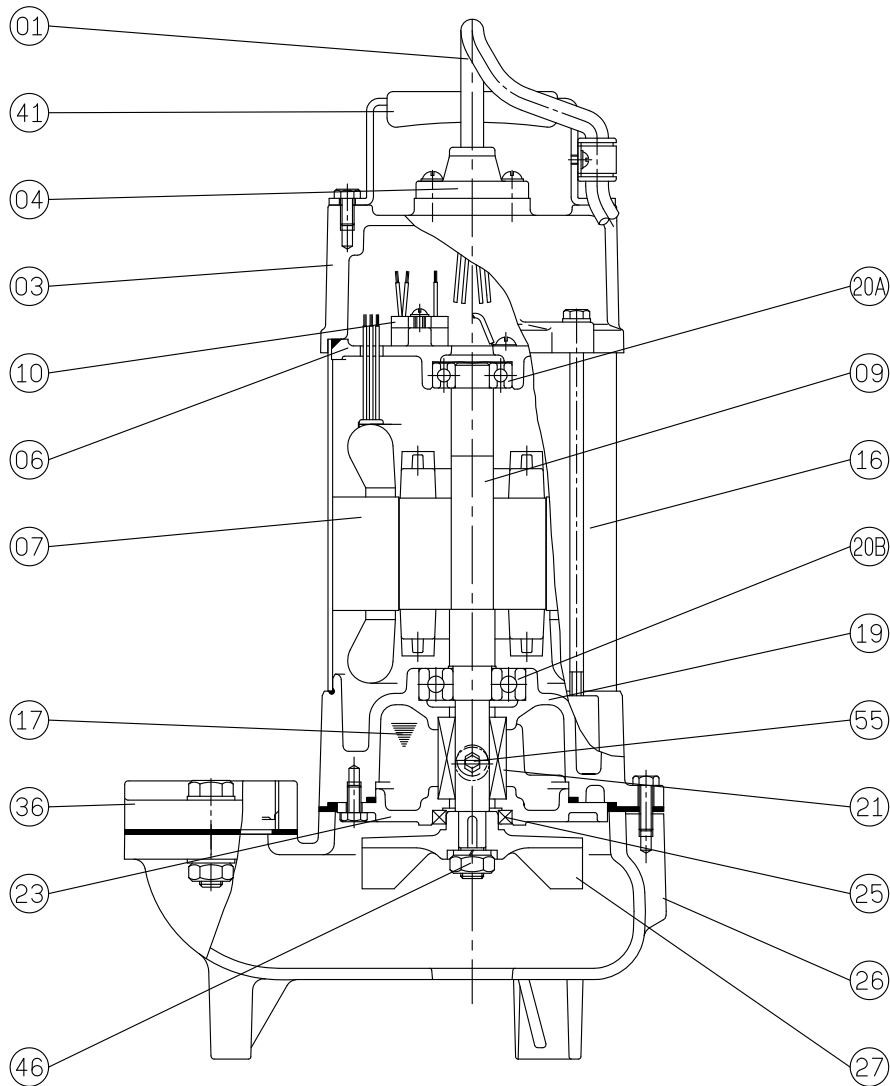
Model	DN	A	B	C	D	E	F	G	I	J	K	M	W1	W2	H1	H2	H3
SF-05AU	50	418	334	45	154	190	155	60	50	70	3/4"	201	391	128	445	19	165
SF-21AU	50	418	334	45	154	190	155	60	50	70	3/4"	201	391	128	445	19	165

MODEL: SF-21AU 1Ø



No.	Part name	Material	QTY	Remark
01	Cable		1	VCT/H07RN-F UL/CSA
03	Upper cover	SUS316	1	
04	Cable base cover	SUS304	1	
06	Bracket	FC-200	1	
07	Stator		1	
09	Shaft(with Rotor)	SUS316	1	
10	Auto-cut		1	
14	Capacitor		1	
16	Motor frame	SUS316	1	
17	Lubricant	Turbine oil #32	1	
19	Bearing bracket	SUS316	1	
20A	Upper bearing		1	
20B	Lower bearing		1	
21	M. seal	CA VS CE SIC VS SIC	1	

No.	Part name	Material	QTY	Remark
23	M. seal bracket	SUS316	1	
25	Oil seal	NBR	1	
26	Casing	SUS316	1	
27	Impeller	SUS316	1	
36	Flange	SUS316	1	
41	Handle	SUS304	1	
46	Impeller key	SUS304	1	
47	Packing (1 set)		1	
55	Oil plug	SUS304	1	

MODEL: SF-21AU 3 \emptyset 

No.	Part name	Material	QTY	Remark
01	Cable		1	VCT/H07RN-F UL/CSA
03	Upper cover	SUS316	1	
04	Cabe base cover	SUS304	1	
06	Bracket	FC-200	1	
07	Stator		1	
09	Shaft(with Rotor)	SUS316	1	
10	Auto-cut		1	
16	Motor frame	SUS316	1	
17	Lubricant	Turbine oil #32	1	
19	Bearing Bracket	SUS316	1	
20A	Upper bearing		1	
20B	Lower bearing		1	
21	M. seal	CA VS CE SIC VS SIC	1	

No.	Part name	Material	QTY	Remark
23	M. seal bracket	SUS316	1	
25	Oil seal	NBR	1	
26	Casing	SUS316	1	
27	Impeller	SUS316	1	
36	Flange	SUS316	1	
41	Handle	SUS304	1	
46	Impeller key	SUS304	1	
47	Packing (1 set)		1	
55	Oil plug	SUS304	1	